



PEDESTAL - INTERACTIVE VOICE COMMUNICATION UNIT

The **CB 1-s** is the original Code Blue pedestal unit and sets the industry standard for rugged construction, full feature availability and high visibility. The **CB 1-s** is easily recognized throughout a full 360-degree area. The user friendly lighted faceplate and the integral area light ensures rapid location in an open environment. The high output strobe is easily identifiable by security when activated.

The exclusive analog InterAct and VoIP speakerphones are designed for maximum reliability, vandal resistance, auxiliary functions, mass notification control, and fault monitoring and reporting capability.

The **CB 1-s** is an excellent choice for walkways, parks, college and commercial campus areas, open landscape areas and anywhere a freestanding pedestal unit is required.

RATINGS

UL	UL 60950-1 and UL 2017
IP	IP56
NEMA	4X

STANDARD FEATURES

- ▶ Analog or VoIP speakerphone options
- ▶ ToolVox® compatible with Blue Alert® MNS and Blue Alert EMS
- ▶ IA4100
 - ▶ 2 Inputs - These are simply NO dry contact
 - ▶ 3 Outputs - Can be configured NO or NC
 - ▶ 1 Line Level Audio Output 600 ohm
- ▶ IP5000
 - ▶ 1 input - This is a NO dry contact
 - ▶ 2 Outputs - Each can ONLY be configured NO
 - ▶ 1 Line Level Audio Output 600 ohm
- ▶ 2 Auxiliary inputs/3 Auxiliary outputs (3 NO or 3 NC)
- ▶ High output combo LED beacon/strobe
- ▶ 24V AC LED low consumption area light
- ▶ LED lit stainless steel faceplate
- ▶ Passive vent
- ▶ 24V AC power
- ▶ Voice Identifier
- ▶ ADA compliant
- ▶ UV resistant lenses
- ▶ Vandal resistant hardware
- ▶ Phone line surge suppressor
- ▶ Ultra-weather resistant finish
- ▶ Internal foundation anchor kit

OPTIONAL FEATURES

- ▶ Two-button speakerphone w/keypad
- ▶ Two-button speakerphone
- ▶ Active vent
- ▶ NightCharge® with photocell strobe
- ▶ Overhead camera mount
- ▶ Custom colors and graphics
- ▶ Step-down multi-tap power transformer
- ▶ GSM & IP wireless communication options
- ▶ 360°, 6-speaker Public Address System
- ▶ AED Housing



UNIT SPECIFICATIONS

Overall Height	108" (274.32 cm)
Outside Diameter	12.75" (32.38 cm)
Housing Material, steel	.25" (.635 cm)
Access Opening (w x h)	14" x 9.64" (35.56 x 24.49 cm)
Overall Weight	330 lbs. (149.69 kg)
Standard Power Requirements	24V AC @ 50w

UNIT FINISH COLORS

Standard Painted Finish	British Racing Green, Cardinal Red, Dark Bronze, Gloss White, Gloss Black, Medium Bronze, Midnight Blue, Safety Blue, Safety Red, Safety Yellow, Tiger Orange, Bright Silver
Custom Painted Finish	Custom colors from Pantone® color chart or sample are available as a special order

GRAPHICS TEXT (WORDING)

Standard	Assistance, Courtesy, Emergency, Police, Security, Information, Help Point
Custom	Custom text graphics are available as a special order

GRAPHICS TEXT COLORS

Standard (reflective decal)	Black, Blue, Green, Red, White, Yellow
Custom	Custom colors from Pantone color chart or sample are available as a special order

GSM CELLULAR OPTION

Provides wireless communications to eliminate trenching for phone lines. System requires a reliable GSM cellular service to be provided by customer.

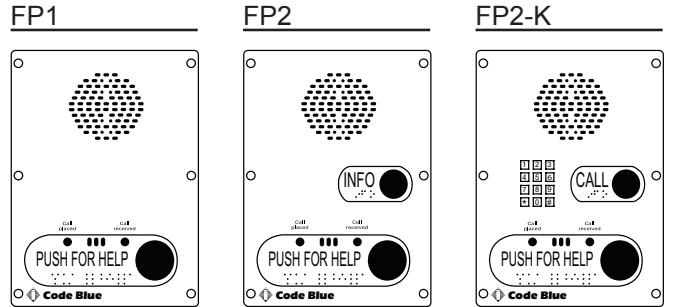
IP WIRELESS OPTION

Code Blue has three varieties of blank mounting rings available as optional features for its 1 Series Pedestal Help Points® (CB 1-w not included). These rings allow a customer to internally and externally mount third party communication and security equipment with their unit to enhance connectivity and functionality.

NIGHTCHARGE®

Continuous power is supplied to the Code Blue unit from a non-continuous power source. Typically used with an outdoor lighting network when power is only on during a portion of the day or night.

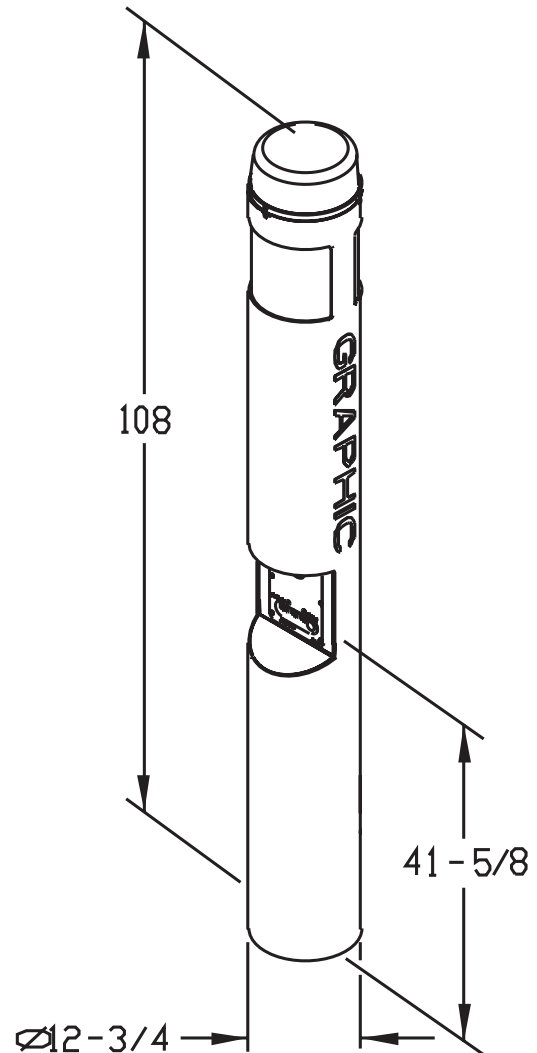
FACEPLATE OPTIONS



Standard faceplate assembly with single red **PUSH FOR HELP** button

Optional faceplate assembly with additional black **INFO** button

Optional faceplate assembly with additional **CALL** button and keypad



- Mounting hardware and template for unit is shipped in advance for foundation work.
- Specifications subject to change without notice or obligation on the part of the manufacturer.