



### OVERHEAD CAMERA MOUNT FOR CB 1 & PAS 1 PRODUCT FAMILY

To meet the need for additional communication and security integration, Code Blue offers an **Overhead Camera Mount** option to the 1 Series of pedestals. This option allows the integrator to mount a dome camera device directly above the pedestal and link phone activation to the camera operation.

The unique design allows this camera mount to be fully integrated with the bollard and can be ordered as an option on a new unit or separately to easily retrofit existing units in the field.\*

Installed unit and wiring costs for installations requiring both communications and CCTV can now be reduced when using this option. The Overhead Camera Mount uses standard 1½ NPT and is available in both standard Code Blue and custom ordered colors.

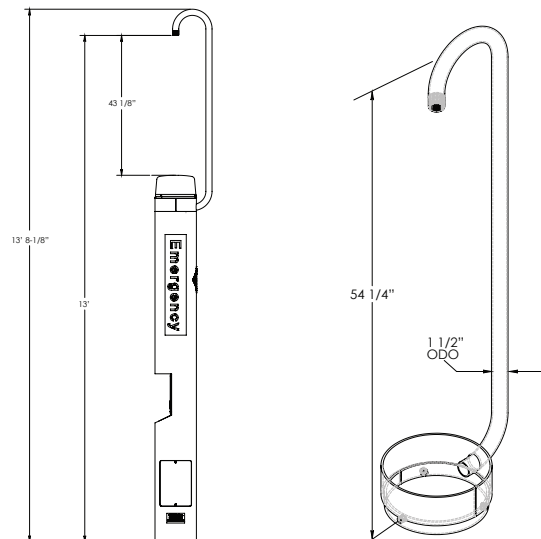
*\*Pedestals built before 2005 require the new taller dome top. Also available for the CB 5-s. Contact Code Blue for more information.*

#### UNIT SPECIFICATIONS

- ▶ Total height of CB 1, 13'8"
- ▶ Total height of CB 1 to camera mount, 13'
- ▶ CB 1 dome top height to camera mount, 43 1/8"

#### STANDARD FEATURES

- ▶ Easy installation on CB 1-d, CB 1-e, CB 1-s, CB 1-d w/PAS, CB 1-e w/PAS, CB 1-s w/PAS and CB 1-s w/AED models
- ▶ Color to match the Code Blue unit
- ▶ Designed for new or retrofit installations



Specifications subject to change without notice or obligation on the part of the manufacturer.