

Product Description

The **WindAssist** power generator is an option to supplement a Solar Array Module and provides additional battery charging capacity for areas with intermittent solar availability. The turbine is a replaceable three-blade design in case of damage or long-term wear.

Standard Features

- ✓ Over 100 watts of power output at 10 mph
- ✓ Auto blade braking upon fully-charged batteries
- ✓ Microprocessor-based smart internal regulator with peak power tracking
- ✓ Cast aluminum body construction
- ✓ Electronic torque control
- ✓ Injection molded blades
- ✓ Service mode switch

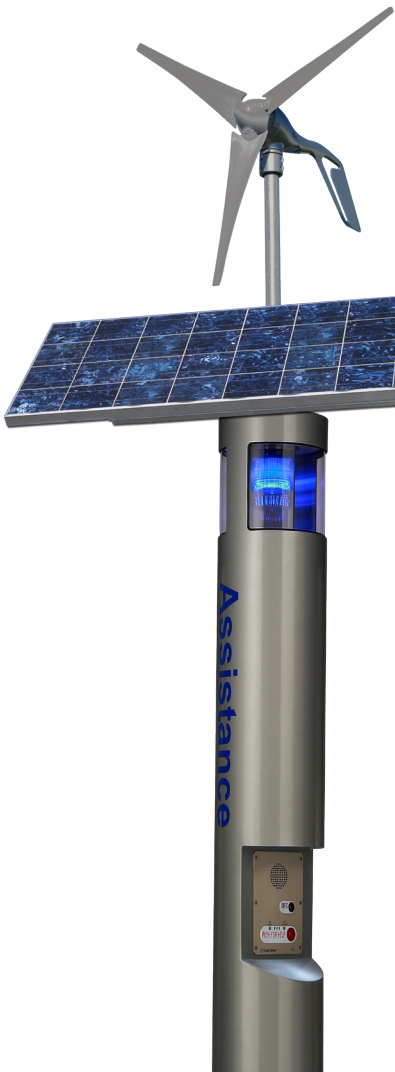
Technical Features

Available for the:

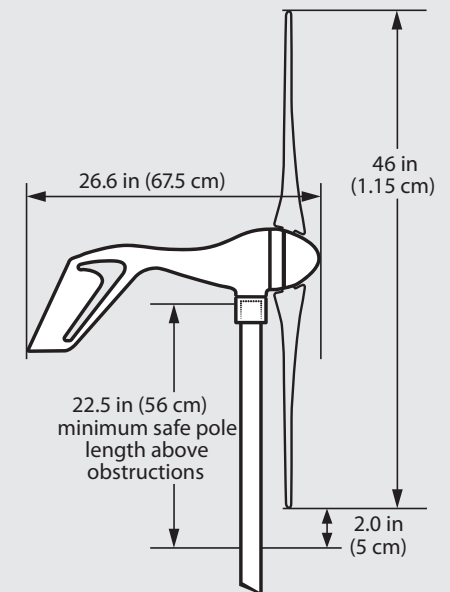
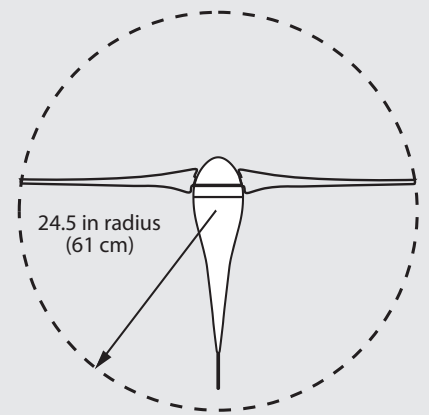
- CB 1-w

Specifications

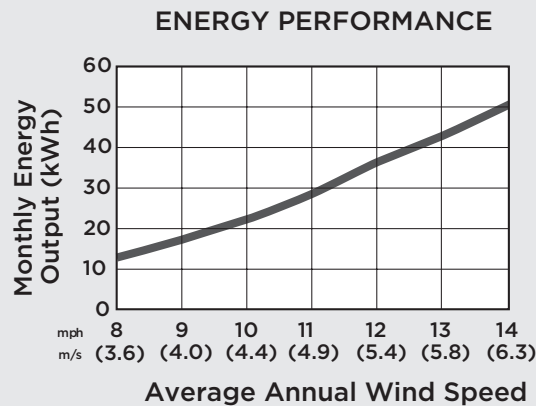
- **Diameter:** 46 inches (116.84 cm)
- **Weight:** 13 lbs. (5.90 kg)
- **Standard Power:** 12V DC
- **Start-Up Wind Speed:** 6 mph
- **Kilowatt Hours/Month:** 38kWh @ 12 mph
- **Rated Power:** 200 watts @ 28 mph
- **Maximum Wind Speed:** 110 mph



WINDASSIST WIRE DIAGRAM (TYPICAL)



WindAssist Charging Capacity



Note: Specifications subject to change without notice or obligation on the part of Code Blue Corporation.