



1 Series 5.25" Mounting Ring



1 Series 5.25" Mounting Ring with Post



1 Series 16.5" Mounting Ring

Product Description

Code Blue has three varieties of **blank mounting rings** available as optional features for its 1 Series Pedestal Help Points® that allow you to internally and externally mount third party communication and security equipment with your unit to enhance connectivity and functionality.

Standard Features

- ✓ 0.25" carbon steel construction
- ✓ Weather, vandal and UV resistant internal storage space for third party devices
- ✓ Rugged external mounting bracket for attaching third party devices, antennas, etc.

Technical Features

Available for the:

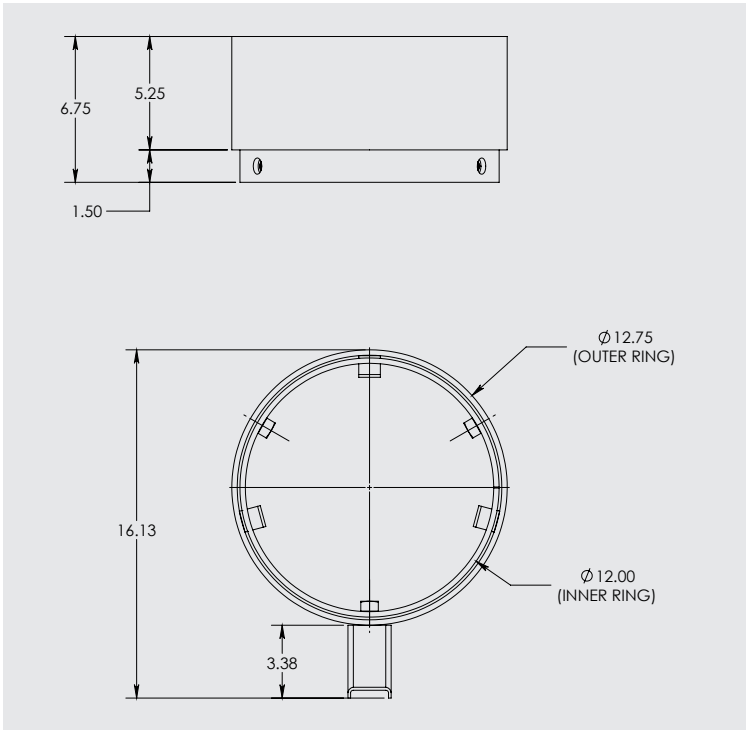
- CB 1-e
- CB 1-s

Specifications

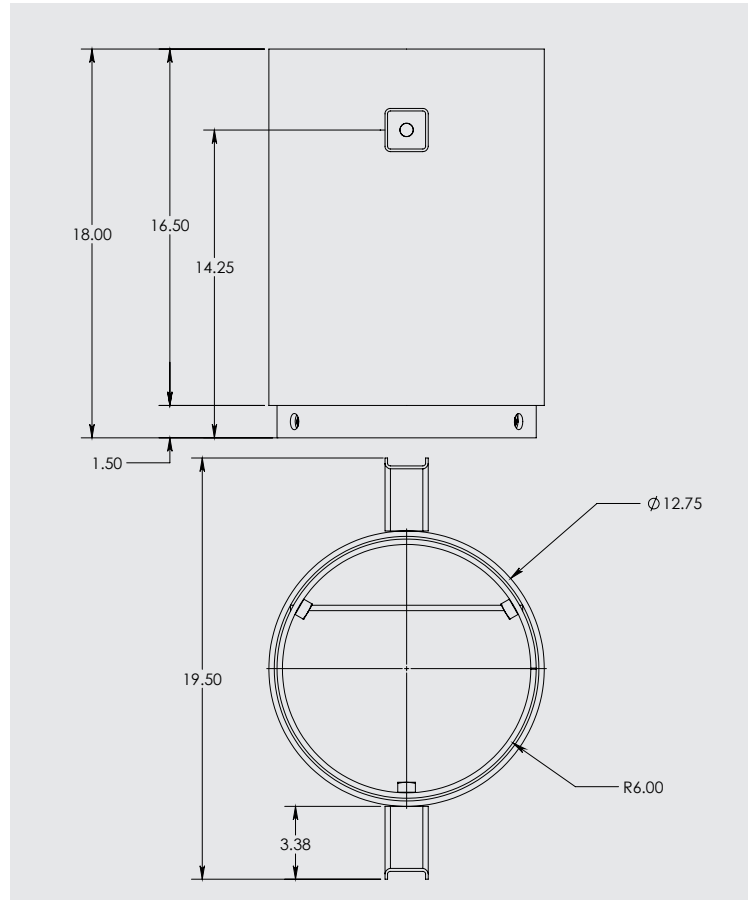
- **5.25" Mounting Ring**
 - **Height:** 5.25" (6.75" with inset) (13.33/17.15 cm)
 - **Outside Diameter:** 12.75" (32.39 cm)
 - **Mounting Post:** 3.38" W x 2" H x 2" D (8.59 x 5.08 x 5.08 cm)
- **5.25" Mounting Ring with Post**
 - **Height:** 5.25" (6.75" with inset) (13.33/17.15 cm)
 - **Outside Diameter:** 12.75" (32.39 cm)
 - **Mounting Post:**
 - **Main Post:** 4.12" W x 2" H x 2" D (10.46 x 5.08 x 5.08 cm)
 - **Antenna Post:** 1" W x 16.01" H x 1" D (2.54 x 40.67 x 2.54 cm)
- **16.5" Mounting Ring**
 - **Height:** 16.5" (18" with inset) (41.91/45.72 cm)
 - **Outside Diameter:** 12.75" (32.39 cm)
 - **Mounting Posts:** 3.38" W x 2" H x 2" D (8.59 x 5.08 x 5.08 cm)

Get It Customized

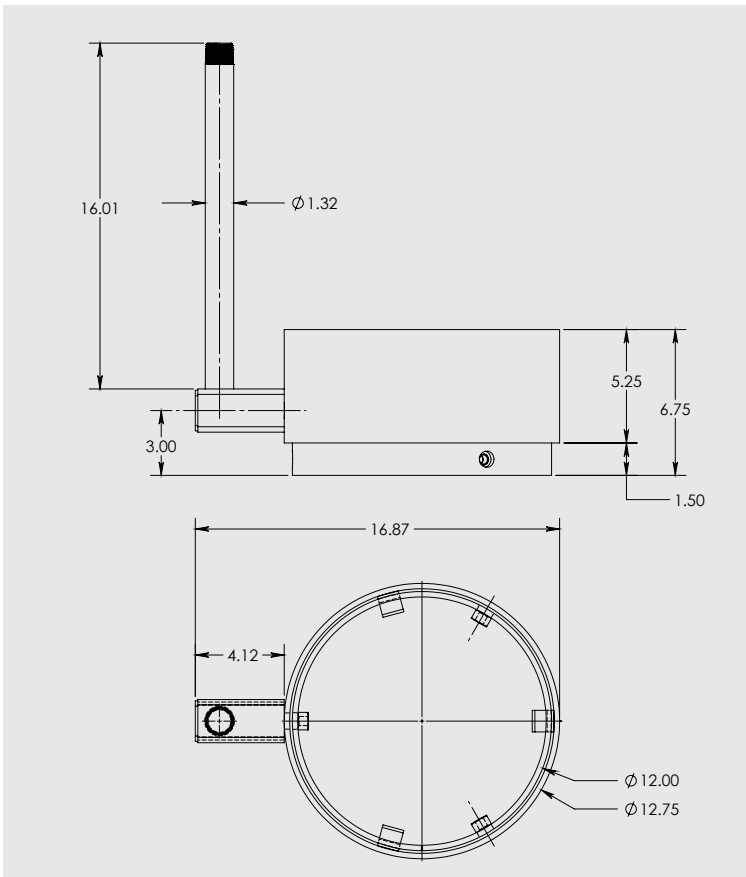
Don't see what you need? Contact Customer Service at customerservice@codeblue.com or 800-205-7186.



1 Series 5.25" Mounting Ring



1 Series 16.5" Mounting Ring



1 Series 5.25" Mounting Ring with Post

Note: Specifications subject to change without notice or obligation on the part of Code Blue Corporation.