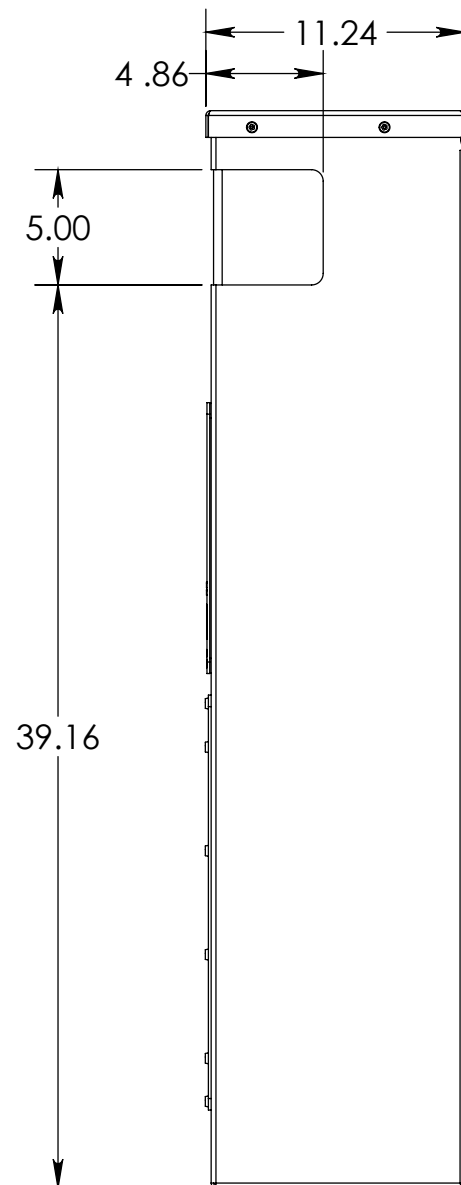
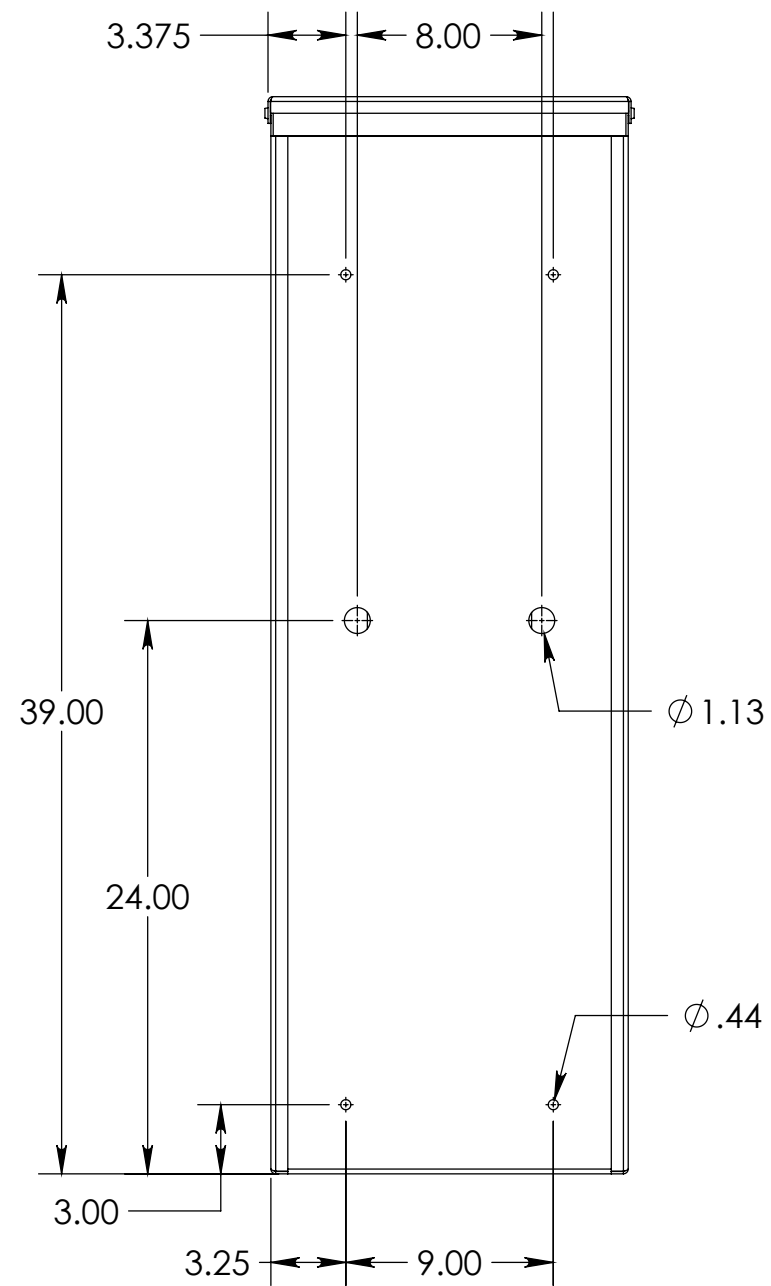


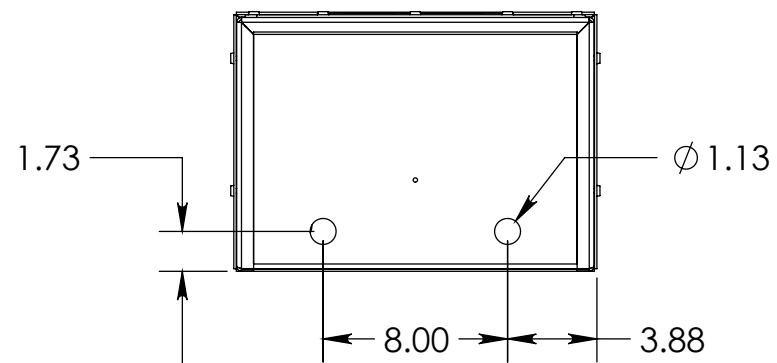
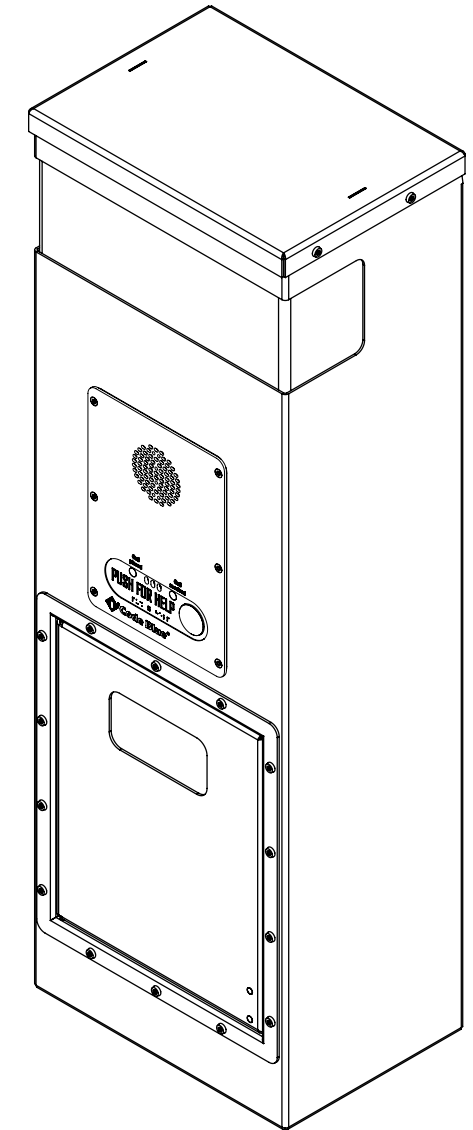
FRONT VIEW



SIDE VIEW



BACK VIEW



BOTTOM VIEW

CB 2-e with AED Housing



800-205-7186 | codeblue.com

© 2017 Code Blue Corporation