



Product Description

The **CB 1-e** is a sophisticated pedestal Help Point® highlighted by a high intensity LED beacon/strobe light that provides exceptional visibility and acts as a deterrent to potential crime. This blue light emergency tower provides direct communication with first responders and can extend security efforts to walkways, parking lots, open campus areas and more.

Standard Features

- ✓ Durable quarter-inch steel construction
- ✓ Trademarked cylindrical design
- ✓ 9 feet tall
- ✓ 12.75" diameter
- ✓ LED faceplate light

Popular Upgrades



ToolVox™ XV
Virtual Machine



ToolVox™ XS
Server



Managed Cloud Solutions



Audio Paging



Hearing Loop



Dual Faceplate Opening

This product can be ordered with a secondary faceplate opening, designed for use with directory/informational plates or third-party accessories. Contact Customer Service or see our Dual Faceplate Options product sheet for more details.

Technical Features

Specifications

- **Height:** 9' (274.32 cm)
- **Weight:** 330 lbs. (149.69 kg)
- **Diameter:** 12.75" (32.38 cm)
- **Material & thickness:** 0.25" steel
- **Access door:** 14.00" x 9.64"
- **Standard Power:** 12-24V AC/DC
- **Optional Power:**
 - 120-277V AC
 - NightCharge
 - PoE

Communication

- **Speakerphone Options**
 - **LS1000/LS2000:** Full Duplex, SIP Compatible VoIP Phone.
 - **IA4100:** Analog full duplex phone.
- **Connection Options**
 - **Hardwired**
 - **Cellular**
 - **IP Wireless**


Lighting

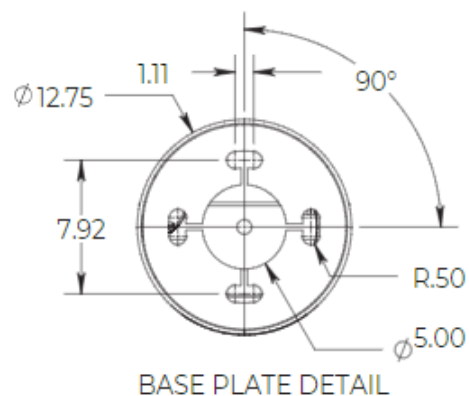
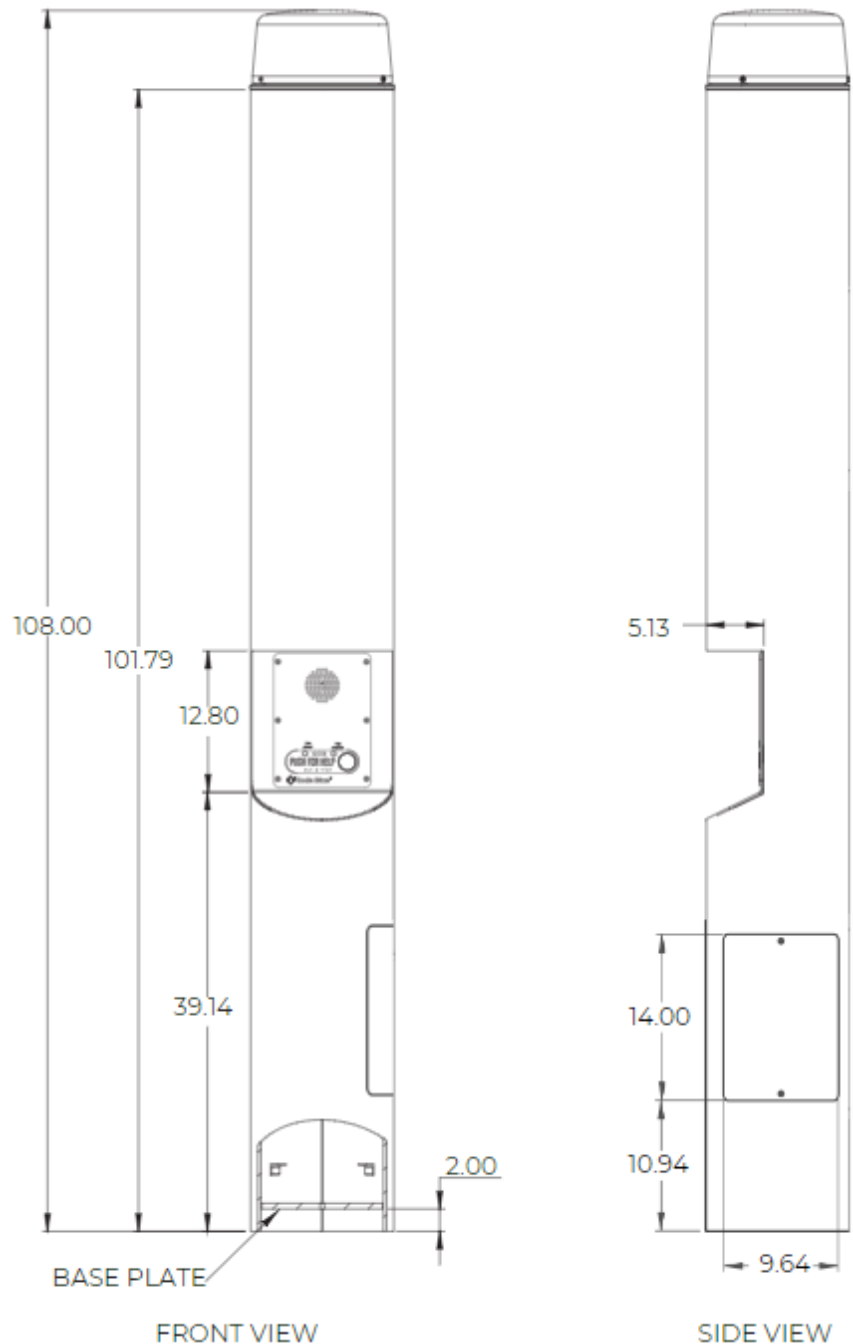
- LED faceplate light
- Beacon/strobe

Style

- **Standard wet coat paint options:** Safety Blue, Safety Yellow, Safety Red, Gloss White, Bright Silver, Tiger Orange, Midnight Blue, Gloss Black, Dark Bronze, Cardinal Red, Medium Bronze, British Racing Green, Architectural Gray, & Oak Buff.
- **Standard Graphics text options:** Emergency, Assistance, Help Point, Police, Courtesy, Security, Information
- **Standard Graphics text colors:** White, Black, Blue, Red, Green, Yellow, Orange, Purple, & Brown

Compliance

- UL 62368-1 
- Built to NEMA 3S Specifications
- Designed to ADA Specifications



Note: Specifications subject to change without notice or obligation on the part of Code Blue Corporation.