

Product Description

The **CB 2-s** Help Point is highlighted by a high intensity LED beacon/strobe and a powerful area light, along with a hands-free emergency speakerphone illuminated by a faceplate light for added visibility and to act as a deterrent to potential crime. It provides direct communication with first responders and can extend security efforts to parking garages, university dorms, hallways and public transit centers.

Standard Features

- ✓ Durable stainless steel construction
- ✓ Highly visible area light
- ✓ LED faceplate light

Popular Upgrades



ToolVox™ XV
Virtual Machine



ToolVox™ XS
Server



Managed Cloud Solutions



Remote Mounted
Strobe



Hearing Loop



Technical Features

Specifications

- **Height:** 42" (106.68 cm)
- **Width:** 12" (30.48 cm)
- **Depth:** 8.6875" (22.07 cm)
- **Weight:** 100 lbs. (65.77 kg)
- **Material & thickness:** 0.105" stainless steel
- **Standard Power:** 12-24V AC/DC
- **Optional Power:**
 - 120-277V AC
 - PoE

Communication

- **Speakerphone Options**
 - **LS1000/LS2000:** Full Duplex, SIP Compatible VoIP Phone.
 - **IA4100:** Analog full duplex phone.
- **Connection Options**
 - **Hardwired**
 - **Cellular**
 - **IP Wireless**

Lighting

- Area Light
- LED faceplate light
- Beacon/strobe

Style

- **Standard wet coat paint options:**

Safety Blue, Safety Yellow, Safety Red, Gloss White, Bright Silver, Tiger Orange, Midnight Blue, Gloss Black, Dark Bronze, Cardinal Red, Medium Bronze, British Racing Green, Architectural Gray, & Oak Buff.


- **Standard Graphics text options:**

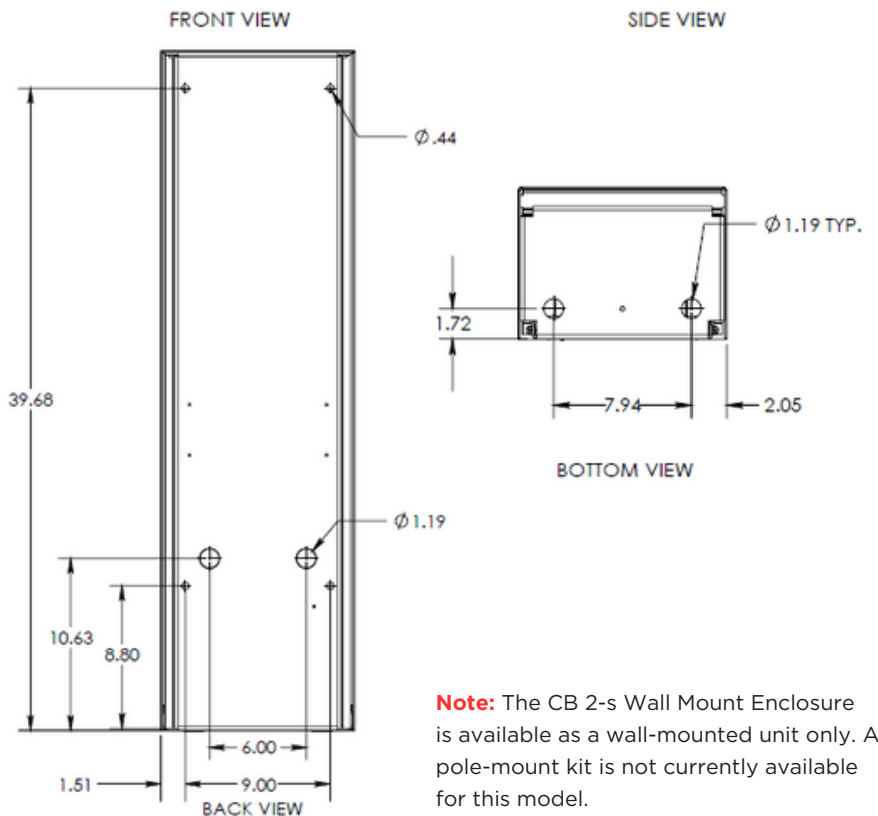
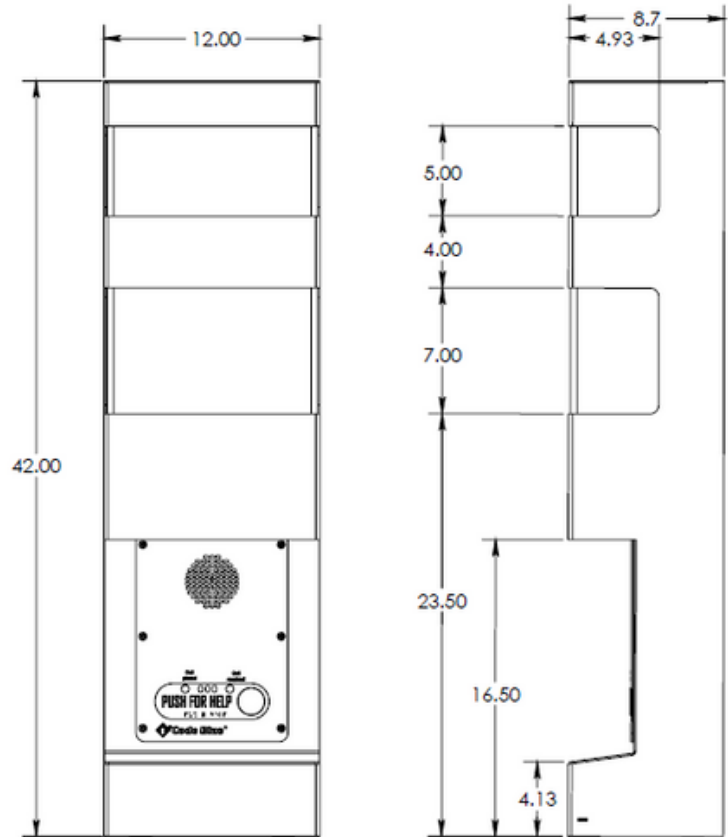
Emergency, Assistance, Help Point, Police, Courtesy, Security, Information

- **Standard Graphics text colors:**

White, Black, Blue, Red, Green, Yellow, Orange, Purple, & Brown

Compliance

- UL 62368-1 
- Built to NEMA 3S Specifications
- Designed to ADA Specifications



Note: The CB 2-s Wall Mount Enclosure is available as a wall-mounted unit only. A pole-mount kit is not currently available for this model.

Note: Specifications subject to change without notice or obligation on the part of Code Blue Corporation.