



Product Description

The **CB 4-r** is a rugged emergency call box highlighted by our 0.125-inch thick carbon steel construction and sophisticated hands-free emergency speakerphone illuminated by a powerful faceplate light. It provides direct communication with first responders and extends security efforts to dorm and building entrances, hallways and transit centers.

Standard Features

- ✓ Durable 0.125-inch steel construction
- ✓ Efficiently sized enclosure

Popular Upgrades



ToolVox™ XV
Virtual Machine



ToolVox™ XS
Server



Remote Mounted
Strobe



Hearing Loop



Technical Features

Specifications

- **Height:** 15.25" (38.7 cm)
- **Width:** 10.25" (26 cm)
- **Depth:** 6" (15.2 cm)
- **Weight:** 35 lbs. (15.9 kg)
- **Material & thickness:** 0.125" steel
- **Standard Power:** 12-24V AC/DC
- **Optional Power:**
 - 120-277V AC
 - PoE

Communication

- **Speakerphone Options**
 - **LS1000/LS2000:** Full Duplex, SIP Compatible VoIP Phone.
 - **IA4100:** Analog full duplex phone.
- **Connection Options**
 - **Hardwired**
 - **Cellular**
 - **IP Wireless**


Lighting

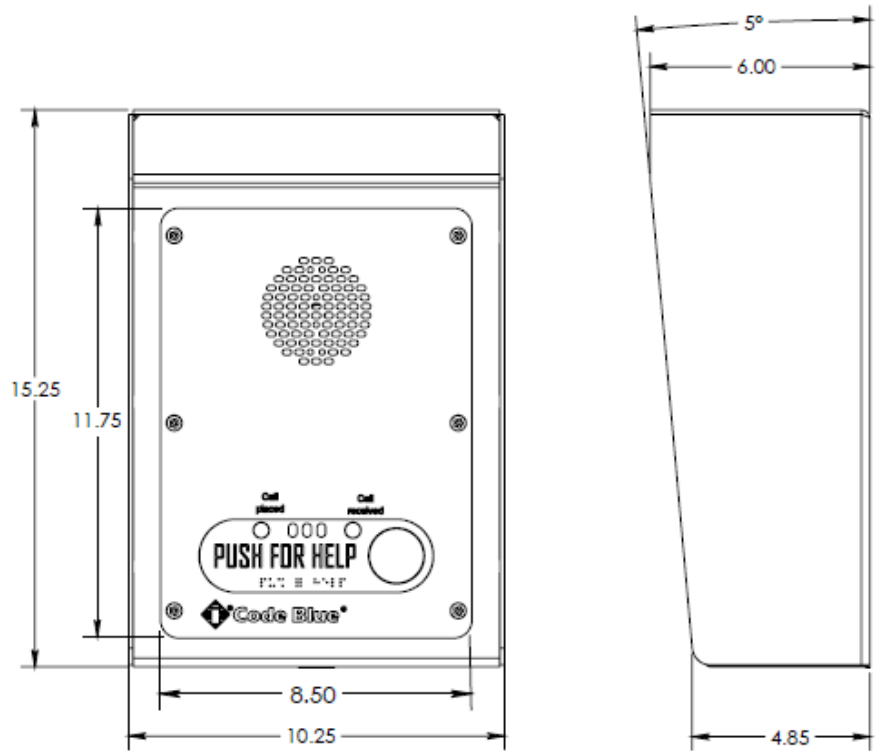
- LED faceplate light

Style

- **Standard wet coat paint options:** Safety Blue, Safety Yellow, Safety Red, Gloss White, Bright Silver, Tiger Orange, Midnight Blue, Gloss Black, Dark Bronze, Cardinal Red, Medium Bronze, British Racing Green, Architectural Gray, & Oak Buff.
- **Standard Graphics text options:** Emergency, Assistance, Help Point, Police, Courtesy, Security, Information
- **Standard Graphics text colors:** White, Black, Blue, Red, Green, Yellow, Orange, Purple, & Brown

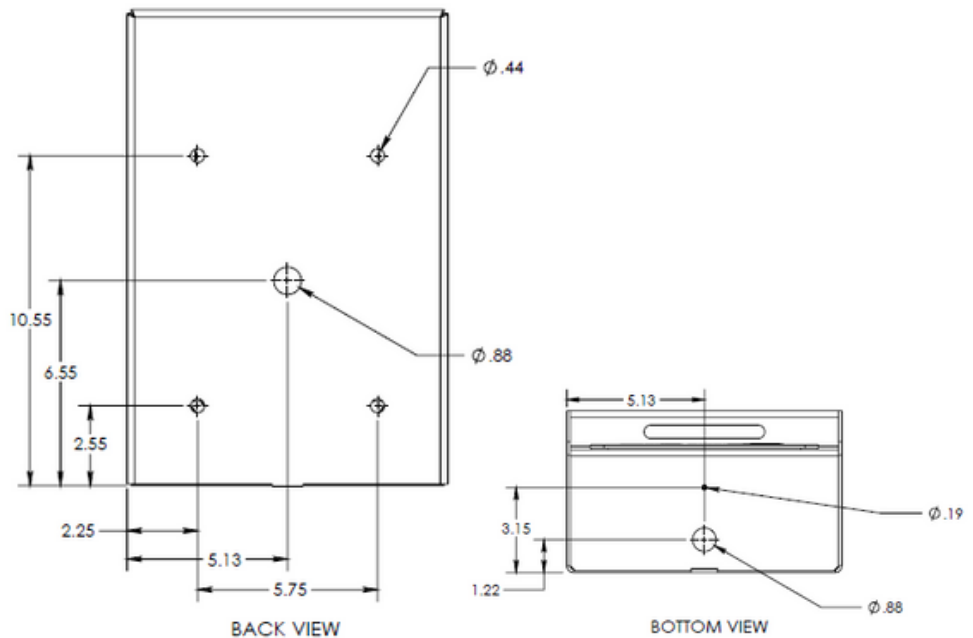
Compliance

- UL 62368-1 
- Built to NEMA 4 Specifications
- Designed to ADA Specifications



FRONT VIEW

SIDE VIEW



BACK VIEW

BOTTOM VIEW

Note: Specifications subject to change without notice or obligation on the part of Code Blue Corporation.