

Product Description

The **CB 4-s** is our most popular wall-mounted call box and is highlighted by our durable carbon steel construction and hands-free emergency speakerphone that provides direct communication with first responders. Available with a remote mount LED beacon/strobe or Audio Paging System, it can extend security efforts to dorm and building entrances, hallways and transit centers.

Standard Features

- ✓ Durable 0.078-inch steel construction
- ✓ Wall Mounting Hardware Included
- ✓ Small footprint enclosure



Popular Upgrades



ToolVox™ XV
Virtual Machine



ToolVox™ XS
Server



Managed Cloud Solutions



Remote Mounted
Strobe



Hearing Loop



Dual Faceplate Opening

This product can be ordered with a secondary faceplate opening, designed for use with directory/informational plates or third-party accessories. Contact Customer Service or see our Dual Faceplate Options product sheet for more details.

Technical Features

Specifications

- **Height:** 13.29" (33.76 cm)
- **Width:** 10.25" (26 cm)
- **Depth:** 6" (15.2 cm)
- **Weight:** 11 lbs. (4.9 kg)
- **Material & thickness:** 0.078" steel
- **Standard Power:** 12-24V AC/DC
- **Optional Power:**
 - 120-277V AC
 - PoE


Communication

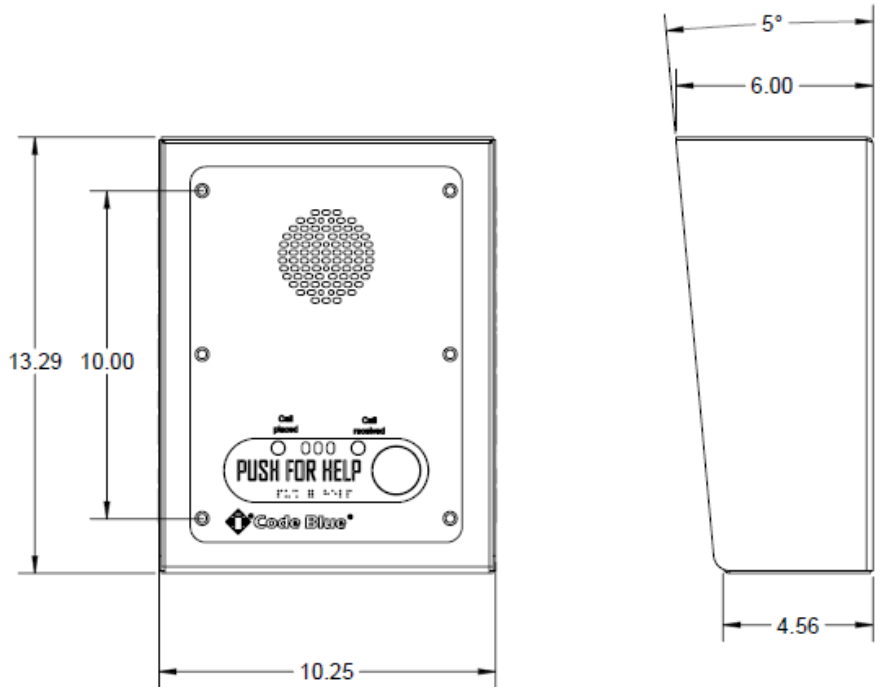
- **Speakerphone Options**
 - **LS1000/LS2000:** Full Duplex, SIP Compatible VoIP Phone.
 - **IA4100:** Analog full duplex phone.
- **Connection Options**
 - Hardwired
 - Cellular
 - IP Wireless

Style

- **Standard wet coat paint options:**
Safety Blue, Safety Yellow, Safety Red, Gloss White, Bright Silver, Tiger Orange, Midnight Blue, Gloss Black, Dark Bronze, Cardinal Red, Medium Bronze, British Racing Green, Architectural Gray, & Oak Buff.
- **Standard Graphics text options:**
Emergency, Assistance, Help Point, Police, Courtesy, Security, Information
- **Standard Graphics text colors:**
White, Black, Blue, Red, Green, Yellow, Orange, Purple, & Brown
- **Custom Paint Colors, Graphic Colors, Graphic Text & Fonts also available.**

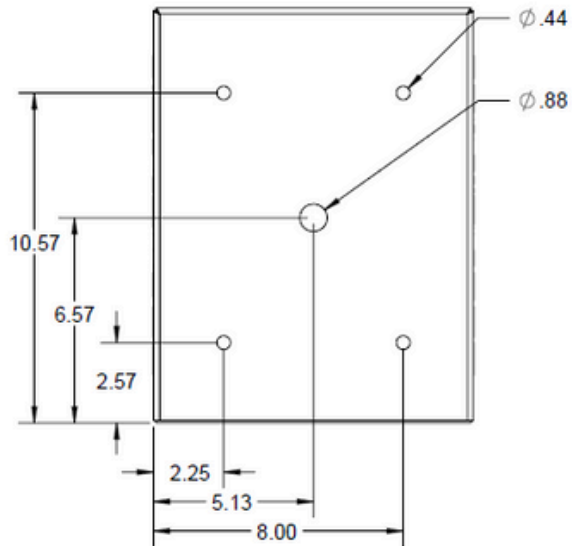
Compliance

- UL 62368-1 
- Built to NEMA 4 Specifications
- Designed to ADA Specifications

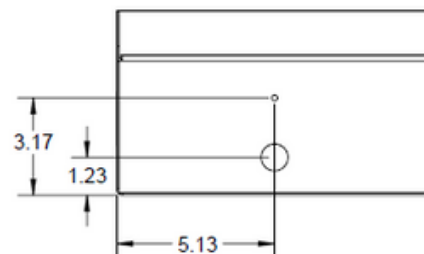


FRONT VIEW

SIDE VIEW



BACK VIEW



BOTTOM VIEW

Note: Specifications subject to change without notice or obligation on the part of Code Blue Corporation.