



Product Description

The **CB 4-u** is a rugged emergency call box commonly combined with our advanced NightCharge® power option, which allows you to pull power from a switched light grid and operate 24 hours per day, even when the grid is off. A hands-free emergency speakerphone provides direct communication with first responders and extends security efforts to dorm and building entrances, hallways and transit centers.

Standard Features

- ✓ Durable 0.125-inch steel construction
- ✓ Larger enclosure to accommodate more features & options.

Popular Upgrades



ToolVox™ XV
Virtual Machine



ToolVox™ XS
Server



Managed Cloud Solutions



Remote Mounted
Strobe



Hearing Loop



Technical Features

Specifications

- **Height:** 25.75" (65.4 cm)
- **Width:** 14" (35.6 cm)
- **Depth:** 12.78" (32.461 cm)
- **Weight:** 70 lbs. (36.29 kg)
- **Material & thickness:** 0.125" steel
- **Standard Power:** 12-24V AC/DC
- **Optional Power:**
 - 120-277V AC
 - Nightcharge®
 - PoE

Communication

- **Speakerphone Options**
 - **LS1000/LS2000:** Full Duplex, SIP Compatible VoIP Phone.
 - **IA4100:** Analog full duplex phone.
- **Connection Options**
 - **Hardwired**
 - **Cellular**
 - **IP Wireless**

Lighting

- LED faceplate light

Style

- **Standard wet coat paint options:**

Safety Blue, Safety Yellow, Safety Red, Gloss White, Bright Silver, Tiger Orange, Midnight Blue, Gloss Black, Dark Bronze, Cardinal Red, Medium Bronze, British Racing Green, Architectural Gray, & Oak Buff.


- **Standard Graphics text options:**

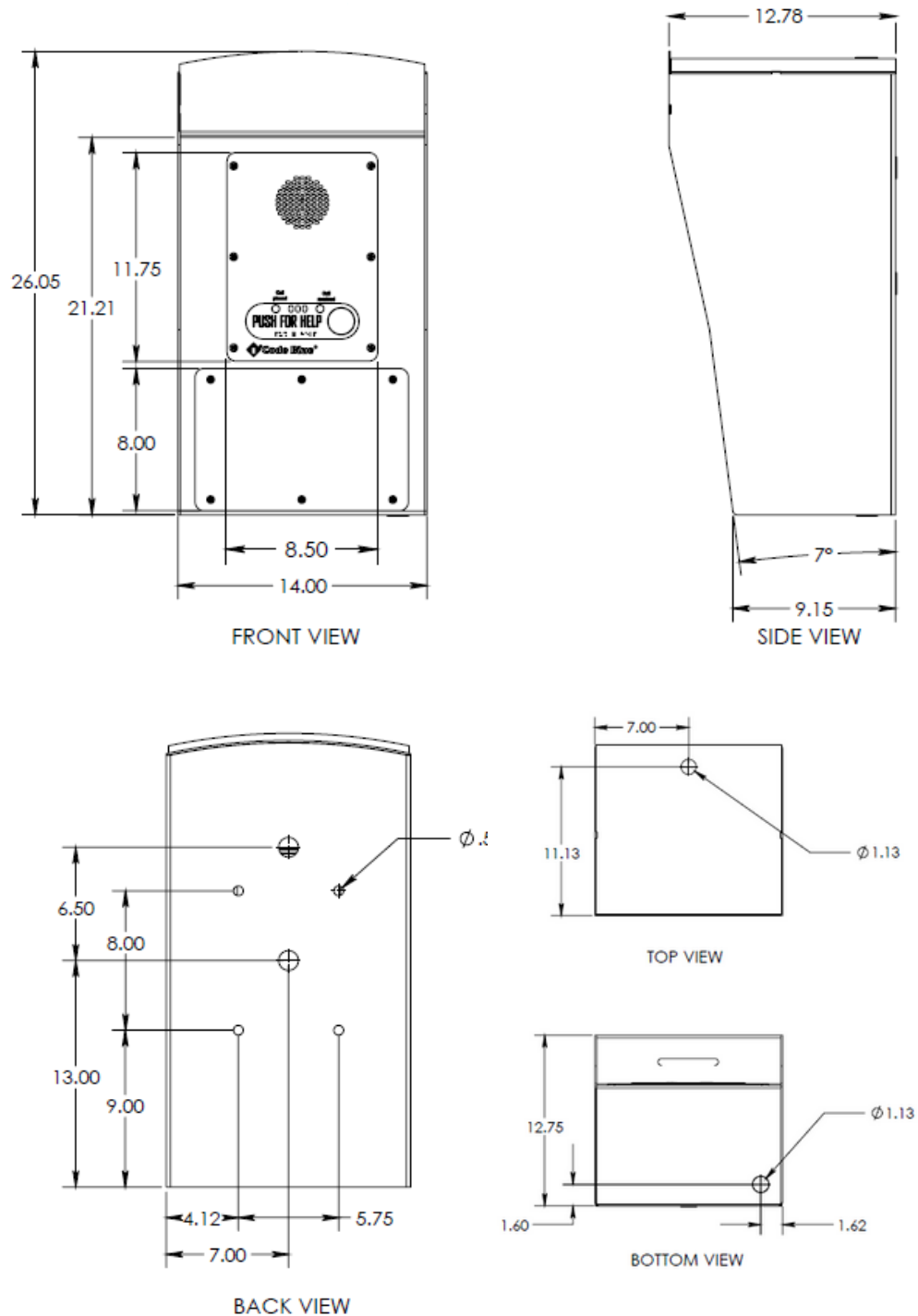
Emergency, Assistance, Help Point, Police, Courtesy, Security, Information

- **Standard Graphics text colors:**

White, Black, Blue, Red, Green, Yellow, Orange, Purple, & Brown

Compliance

- UL 62368-1 
- Built to NEMA 4 Specifications
- Designed to ADA Specifications



Note: Specifications subject to change without notice or obligation on the part of Code Blue Corporation.