



## Product Description

The **CB 9-s** is a heavy duty car-height gatekeeper pedestal enclosure that provides direct communication with first responders and can extend security efforts at drive-up or walk-up applications, such as parking lots or multi-level parking structures.

## Standard Features

- ✓ Durable steel construction
- ✓ Trademarked cylindrical design
- ✓ 5 feet tall
- ✓ 12.75" diameter
- ✓ LED faceplate light



## Popular Upgrades



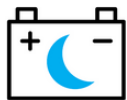
ToolVox™ XV  
Virtual Machine



ToolVox™ XS  
Server



Managed Cloud Solutions



NightCharge®



Hearing Loop



## Dual Faceplate Opening

This product can be ordered with a secondary faceplate opening, designed for use with directory/informational plates or third-party accessories. Contact Customer Service or see our Dual Faceplate Options product sheet for more details.

# Technical Features

## Specifications

- **Height:** 5' (152.4 cm)
- **Weight:** 190 lbs. (81.18 kg)
- **Diameter:** 12.75" (32.38 cm)
- **Material & thickness:** 0.135" steel
- **Access door:** 14.00" x 9.64" (35.56x 24.49 cm)
- **Standard Power:** 12-24V AC/DC
- **Optional Power:**
  - 120-277V AC
  - NightCharge
  - PoE

## Communication

- **Speakerphone Options**
  - **LS1000/LS2000:** Full Duplex, SIP Compatible VoIP Phone.
  - **IA4100:** Analog full duplex phone.
- **Connection Options**
  - **Hardwired**
  - **Cellular**
  - **IP Wireless**

## Lighting

- LED faceplate light

## Style

- **Standard wet coat paint options:**

Safety Blue, Safety Yellow, Safety Red, Gloss White, Bright Silver, Tiger Orange, Midnight Blue, Gloss Black, Dark Bronze, Cardinal Red, Medium Bronze, British Racing Green, Architectural Gray, & Oak Buff.


- **Standard Graphics text options:**

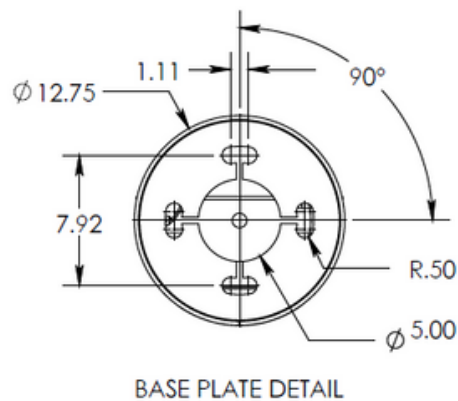
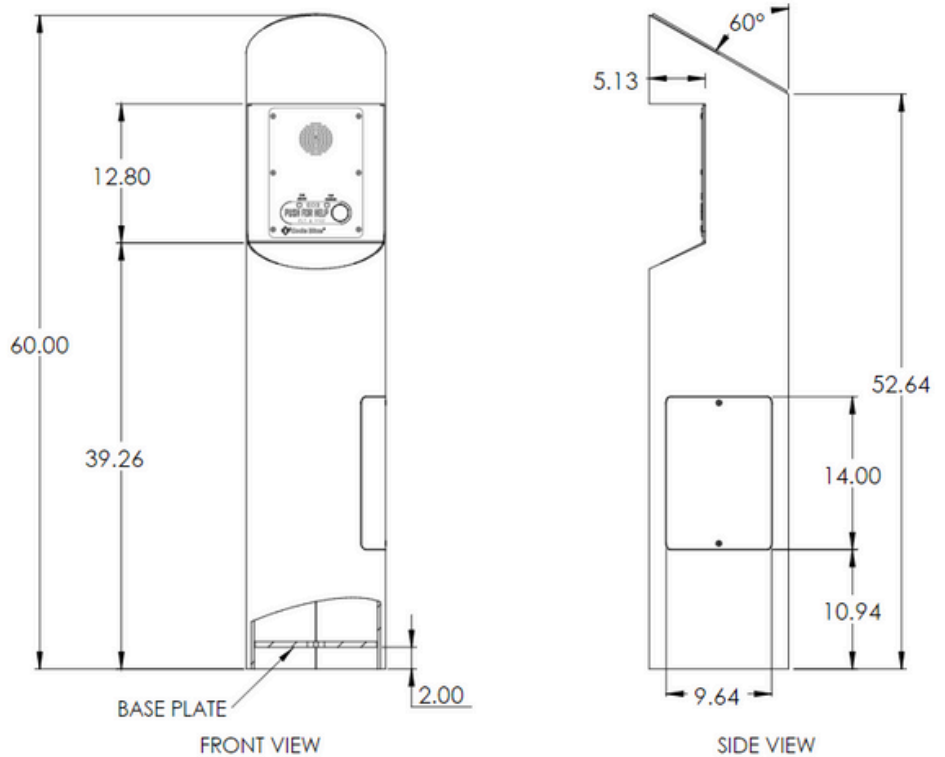
Emergency, Assistance, Help Point, Police, Courtesy, Security, Information

- **Standard Graphics text colors:**

White, Black, Blue, Red, Green, Yellow, Orange, Purple, & Brown

## Compliance

- UL 62368-1 
- Built to NEMA 3 Specifications
- Designed to ADA Specifications



Note: Specifications subject to change without notice or obligation on the part of Code Blue Corporation.