



Product Description

Code Blue Help Points® can be configured to include a temperature controlled **Automated External Defibrillator (AED)*** housing to provide assistance during incidents of sudden cardiac arrest. These are available in both tower and wall mountable formats, making them capable of being located almost anywhere.

Standard Features

- ✓ **Operating temperature: -34° C to +49°C (-30°F to +120°F)**
- ✓ **Communication device can activate AED door remotely**

Available For:

- **CB 1-e**
- **CB 1-s**
- **CB 2-e**

Popular Upgrades



ToolVox™ XV
Virtual Machine



ToolVox™ XS
Server



Managed Cloud Solutions



Audio Paging



Hearing Loop



***Note:** Automated External Defibrillator sold separately. Contact your authorized local medical equipment dealer or representative for details.

Technical Features




Specifications

- **1 Series Tower Dimensions:**
 - **Height:** 108" (274.32 cm)
 - **Width:** 15.50" (39.37 cm)
 - **Depth:** 16.89" (42.90 cm)
- **2 Series Wall Mount Dimensions:**
 - **Height:** 46.72" (118.69cm)
 - **Width:** 15.50" (39.37 cm)
 - **Depth:** 11.24" (28.57 cm)
- **AED Cabinet Inside Dimensions:**
 - **Height:** 13.50" (34.29 cm)
 - **Width:** 13.00" (33.02 cm)
 - **Depth:** 8.75" (22.23 cm)

Power

- 120V AC Incoming

Compliance

- UL 62368-1 
- Built to NEMA 4 Specifications
- Designed to ADA Specifications

Lighting

- LED faceplate light (CB1 Only)
- Beacon/strobe

Communication

- **Speakerphone Options**
 - **LS1000/LS2000:** Full Duplex, SIP Compatible VoIP Phone.
 - **IA4100:** Analog full duplex phone.
- **Connection Options**
 - Hardwired
 - Cellular
 - IP Wireless

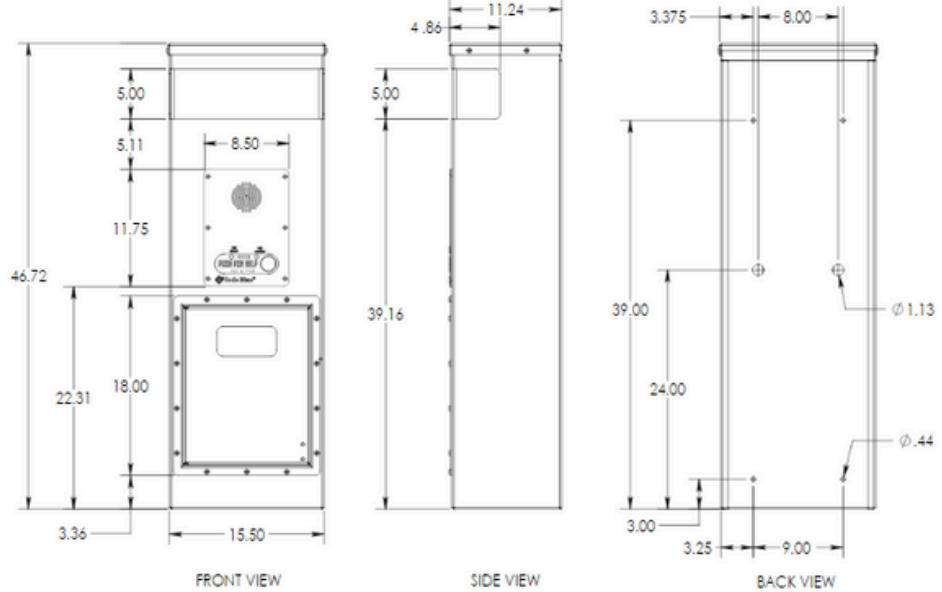
Style

- **Standard wet coat paint options:**
 - Safety Blue, Safety Yellow, Safety Red, Gloss White, Bright Silver, Tiger Orange, Midnight Blue, Gloss Black, Dark Bronze, Cardinal Red, Medium Bronze, British Racing Green, Architectural Gray, & Oak Buff.

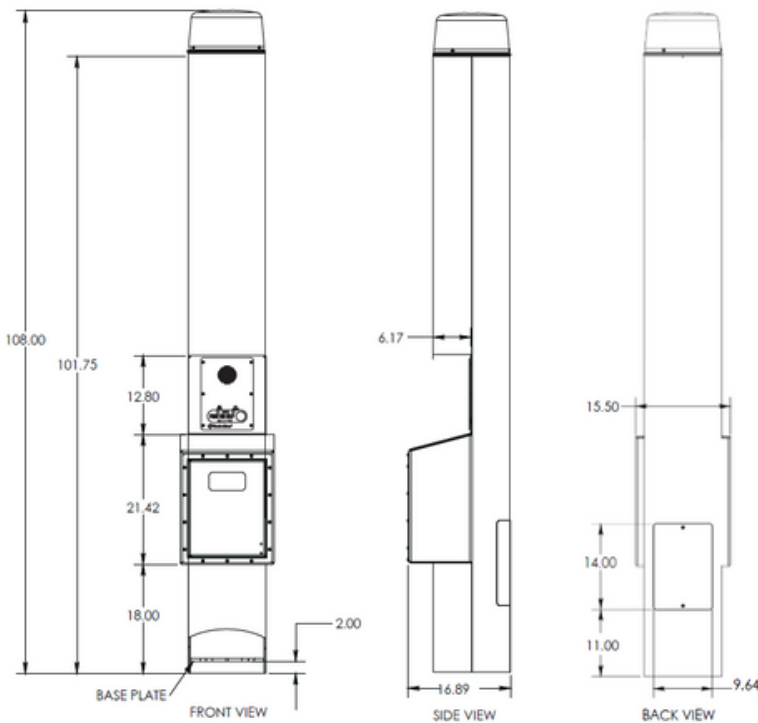
Note: CB2 Series AED units are NOT available with a Stainless Steel finish.

- **Standard Graphics text options:**
 - Emergency, Assistance, Help Point, Police, Courtesy, Security, Information
- **Standard Graphics text colors:**
 - White, Black, Blue, Red, Green, Yellow, Orange, Purple, & Brown

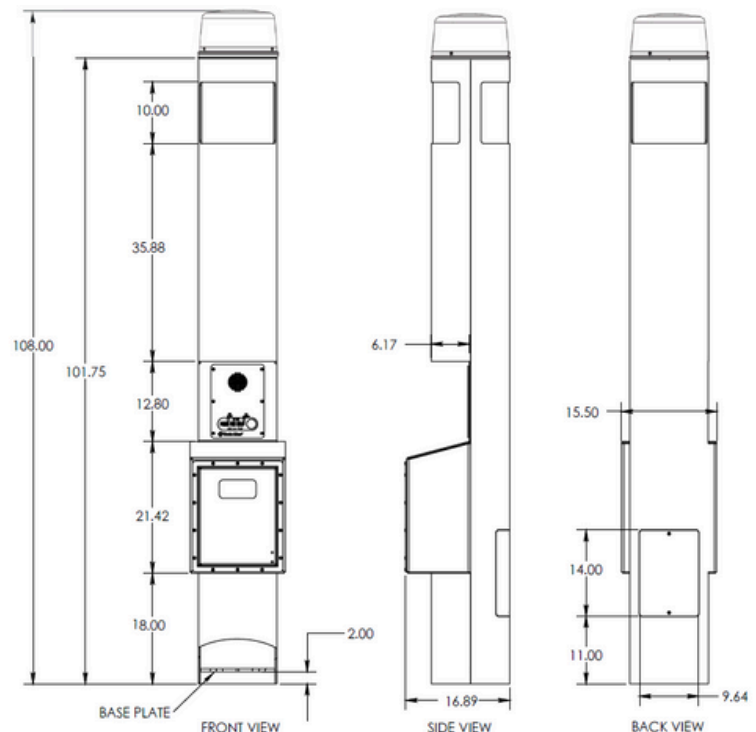
CB 2-e w/ AED Cabinet



CB 1-e w/ AED Cabinet



CB 1-s w/ AED Cabinet



Note: Specifications subject to change without notice or obligation on the part of Code Blue Corporation.