



## Product Description

The **Public Address Speaker for 2 Series** Help Points® from Code Blue offers a powerful integrated speaker designed to provide maximum audio clarity and intelligibility to ensure your notifications are delivered in an efficient and effective manner.

## Standard Features

- ✓ Proprietary One-Cycle Sound™ control w/ output feedback
- ✓ Internal and remote volume adjustment
- ✓ Analog, VoIP or no control options
- ✓ Synchronized switching frequencies
- ✓ FXS, IP or no analog controller
- ✓ Remote disable
- ✓ Monitoring features include signal clipping, output current and temperature
- ✓ Full over current, under voltage and over temperature protection



## Popular Upgrades

### Fusion Server



### Blue Alert® MNS



# Technical Features

## Available for the:

- CB 2-e

## Specifications

- **Height:** 32.2" (81.79 cm)
- **Width:** 12" (30.48 cm)
- **Weight:** 63 lbs. (29.48 kg)
- **Speakers:** 1
- **Material:** .105" stainless steel
- **Power:** 24V AC

## Compliance

- UL 2017
- Built to NEMA 4 Specifications



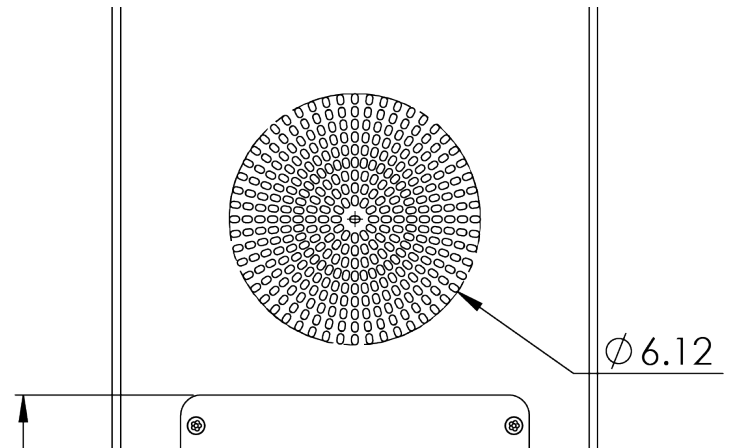
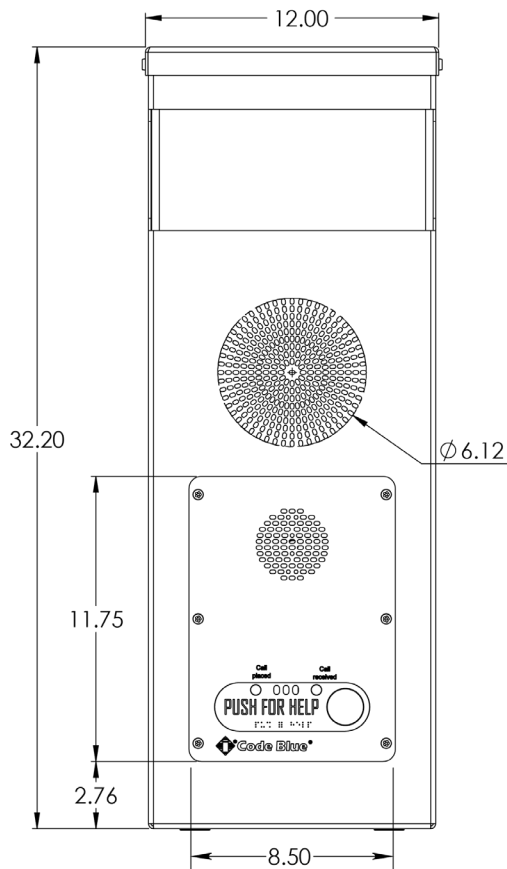
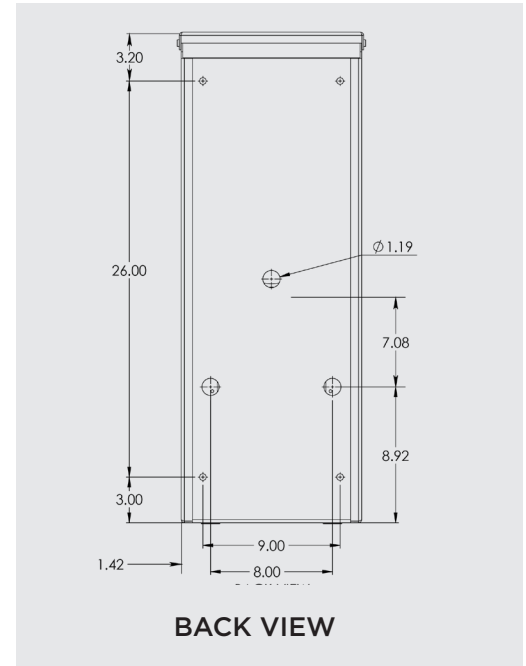
## Speakers

- **Frequency Response:** 650Hz-6500kHz
- **Power Capacity:** 50w continuous program
- **Impedance:** 5.3 Ohms

## Amplifier

- **Output Power:** 150w (0.1% THD)
- **Maximum Output Power:** 160w (1%THD)
- **Sensitivity:** 3.5 Vrms
- **Gain:** 16.5-17.5dB, min.-max.
- **Distortion:** 0.05% (0.03% average)
- **Frequency Response:** 20Hz-20kHz,  $\pm 0.5$ dB
- **Signal to Noise:** 117dB

## Mounting Schematics



Note: Specifications subject to change without notice or obligation on the part of Code Blue Corporation.