



Product Description

The **360° Public Address System** for 1 and 5 Series Help Points® from Code Blue is exclusively designed as an emergency communication system to deliver maximum audio clarity and range to ensure notifications are accurately broadcast to your intended audience. The unique 6-speaker design delivers optimal audio source dispersion utilizing state-of-the-art amplifiers and horn array.

Standard Features

- ✓ Proprietary One-Cycle Sound™ control w/ output feedback
- ✓ Internal and remote volume adjustment
- ✓ Synchronized switching frequencies
- ✓ FXS, IP or no analog controller
- ✓ Remote disable
- ✓ Temperature, output and clipping signal self-monitoring
- ✓ Full over current, under voltage and over temperature protection
- ✓ Standard and custom paint and graphics available

Popular Upgrades

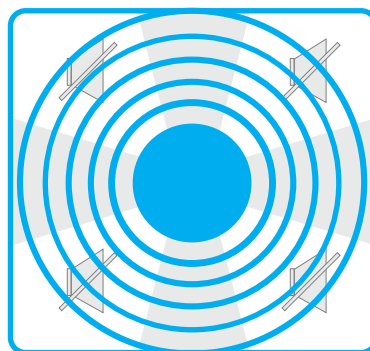
Fusion Server



Blue Alert® MNS



Optimal Sound Dispersion



Code Blue Competition



Technical Features

Available for the:

- CB 1-e
- CB 1-s
- CB 5-s

Specifications

- **Height:** 19.36" (49.17 cm)
- **Width:** 14.05" (35.69 cm)
- **Weight:** 25 lbs. (11.34 kg)
- **Speakers:** 6
- **Dispersion Angle:** 360°
- **Material:** Acrylonitrile Butadiene Styrene (ABS)
- **Power:** 120V AC

Speakers

- **Frequency Response:** 450Hz-7kHz
- **Power Capacity:** 420w continuous program
- **Impedance:** 5.3 Ohms

Amplifier

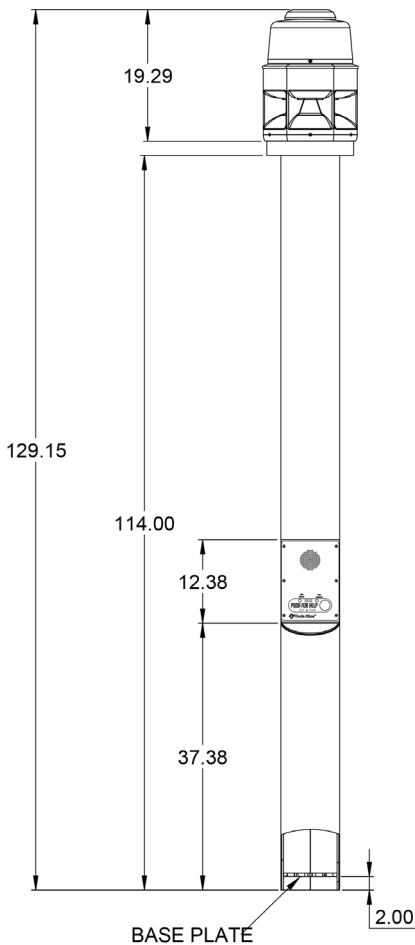
- **Output Power:** 400w (20Hz-20kHz, 0.1% THD)
- **Maximum Output Power:** 500w (1%THD)
- **Max Bridged Output Power:** 500w (1% THD)
- **Sensitivity:** 3.5 Vrms
- **Distortion:** 0.05% (0.03% average)
- **Frequency Response:** 20Hz-20kHz, ± 0.5 dB
- **Signal to Noise:** 117dB

Style

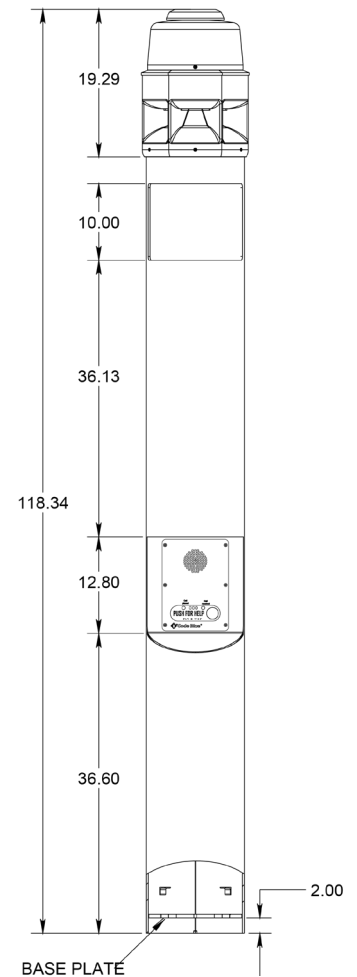
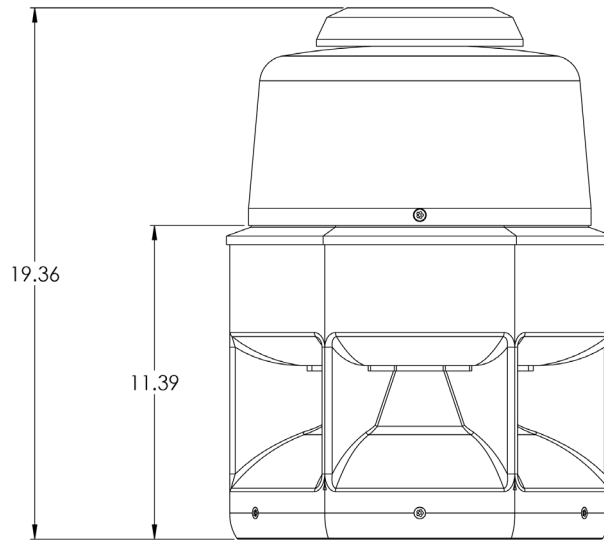
- **Standard wet coat colors:** Dark Bronze, Gloss White, Gloss Black, Safety Blue, Safety Red, Safety Yellow, Bright Silver
- Custom colors available

Compliance

- UL 2017
- IP56
- Built to NEMA 4 Specifications



CB 5-s with Public Address



CB 1-s with Public Address

Note: Specifications subject to change without notice or obligation on the part of Code Blue Corporation.