

Product Description

The **NightCharge Power System** is a unique and flexible option that operates from a switched power supply that receives power through an existing source at night, such as a light pole, and simultaneously charges a battery that will power the unit during the day, allowing Code Blue units to be powered from a 120V AC switched power network.

The NightCharge system provides sufficient power to run Code Blue units for 24 hours per day without interruption. During a typical day — power network on during part of the day and off during part of the day — the NightCharge system provides power for 23 hours of standby operation and at least one hour of activated operation.

Available For:

- CB 1-e
- CB 1-s
- CB 4-u
- CB 9-s
- CB 9-t



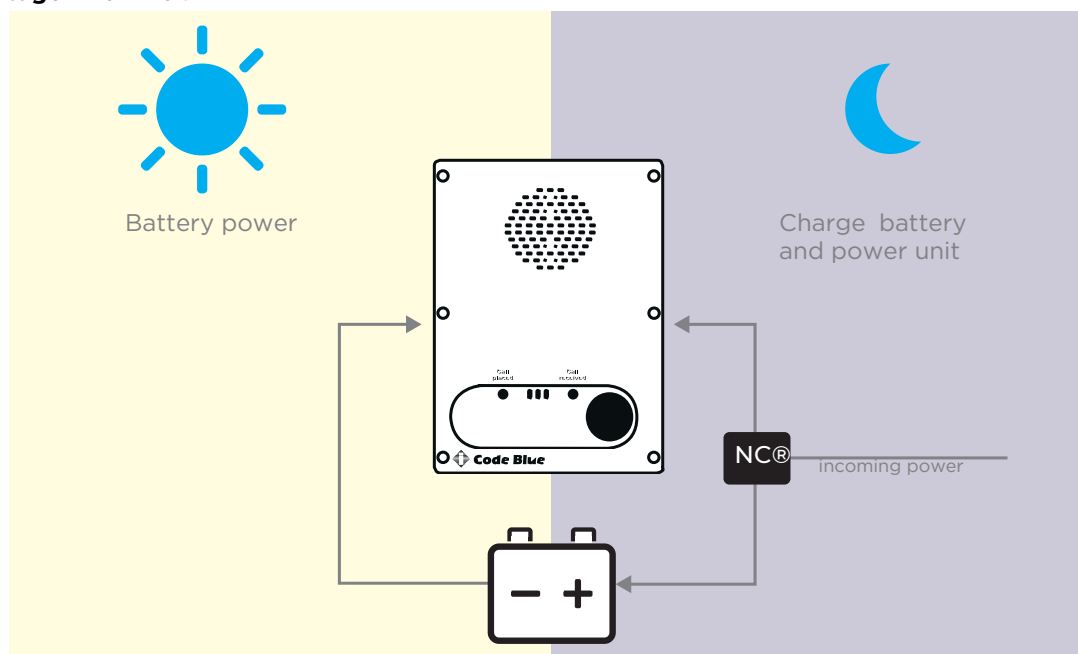
Technical Features

Battery Charger Specifications:

- **Size:** 5.75" x 3.5" x 2" (14.61 x 8.89 x 5.08 cm)
- **Weight:** 5 lbs (2.27 kg)
- **Cable Size:** 6' (182.88 cm)
- **Voltage:** 12V
- **Amperage:** 10 Amp
- **Banks:** 2
- **AC Input Voltage:** 120-240V

Battery Specifications:

- **Size:** 9.72" L x 5.47" W x 9.24" H (24.69 x 13.89 x 23.47 cm)
- **Weight:** 39 lbs. (17.69 kg)
- **Nominal Voltage:** 12V
- **Capacity at 100°C:** 63 Ah
- **Capacity at 20°C:** 55 Ah
- **Plate Alloy:** Lead Calcium



Note: Specifications subject to change without notice or obligation on the part of Code Blue Corporation.