

Product Description

The unique design of this pedestal attachment allows you to mount a PTZ or dome camera device directly above one of Code Blue's industry leading Help Points® and link phone activation to the camera operation for additional surveillance and communication integration.

Technical Features

Available For:

- CB 1-e
- CB 1-s
- CB 5-p*
- CB 5-s*
- CB 9-s*
- CB RT*

*Mount attaches directly to pedestal; does not use a ring.

Specifications

- **L x W x H:** Product dimensions vary based on model selected. See product drawings below for details.
- **Weight:**
 - CB1 Series: 37lbs
 - CB 5, 9, & RT Series: 32lbs
- **Material & thickness:** Carbon Steel - 0.25"
- **Pipe Dimension:** 1.90" Ø
- **Pipe Thread Size:** 1.5" NPT

Style

- **Standard wet coat paint options:** Safety Blue, Safety Yellow, Safety Red, Gloss White, Bright Silver, Tiger Orange, Midnight Blue, Gloss Black, Dark Bronze, Cardinal Red, Medium Bronze, British Racing Green, Architectural Gray, & Oak Buff.
- **Also available in Custom Colors**



Available Models

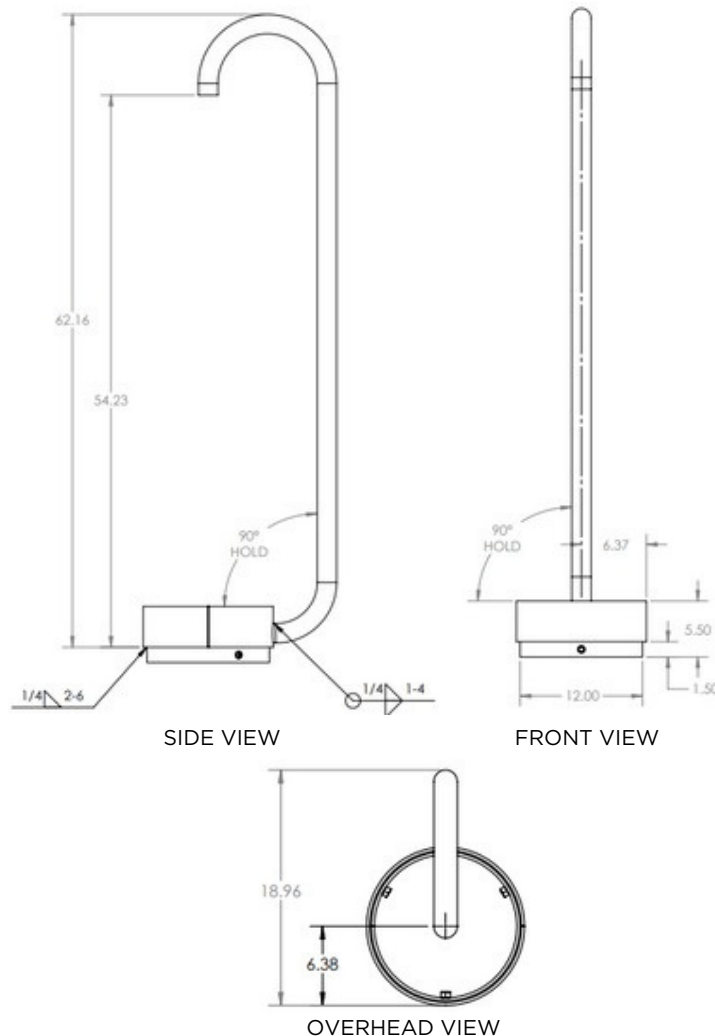
Overhead Camera Mount for CB1 Series Towers



CB 1-s



CB 1-e



Overhead Camera Mount for CB5 & CB9 Series Towers

*Mount attaches directly to pedestal; does not use a ring.



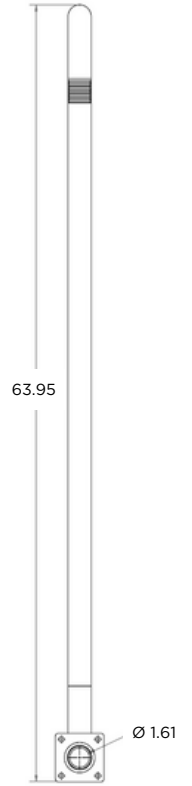
CB 5-s

CB 5-p

CB 9-s



SIDE VIEW



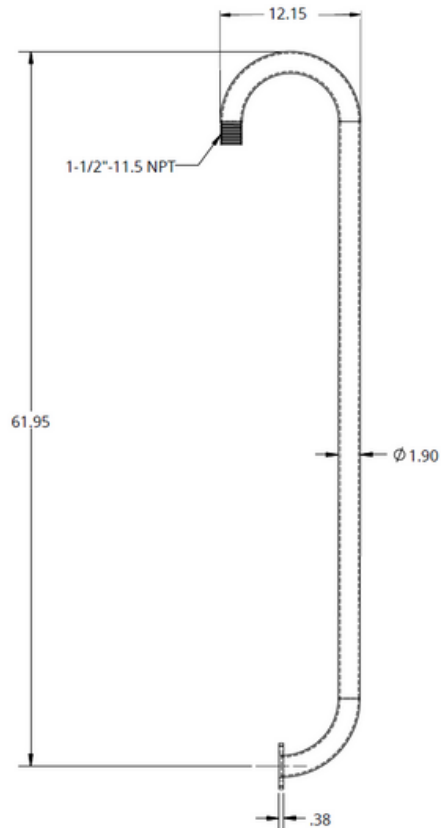
FRONT VIEW

Overhead Camera Mount for CB RT Series Towers

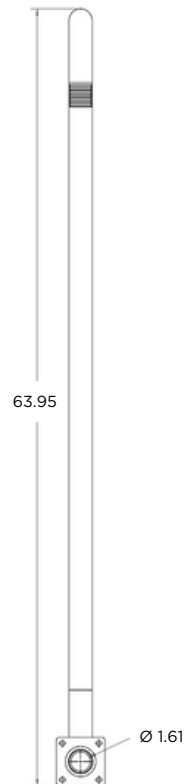
*Mount attaches directly to pedestal; does not use a ring.



CB RT



SIDE VIEW



FRONT VIEW

Note: Specifications subject to change without notice or obligation on the part of Code Blue Corporation.