



Product Description

The **CB 6-f** is a flush-mounted call box that provides a hands-free emergency speakerphone enclosed in rugged carbon steel housing mounted into a wall for a cost-effective and reliable solution to provide direct communication with first responders and extend security efforts to hallways, transit centers, parking decks and other sheltered structures.

Standard Features

- ✓ Durable carbon steel construction

Popular Upgrades

Remote Public Address.



Remote Beacon/Strobe



Popular Applications



Get It Customized

We know your installation is unique. From paint and graphics to height and mountings, if you dream it, we can make it. Contact Customer Service at customerservice@codeblue.com or 800-205-7186 to learn more.

A customized call box with a speaker grille, an 'INFO' button, and a red button labeled 'SECURITY'. The Code Blue logo is at the bottom.

Technical Features

Specifications

- **Height:** 11.75" (29.85 cm)
- **Width:** 8.5" (21.59 cm)
- **Depth:** 3.5" (8.89 cm)
- **Weight:** 10.5 lbs. (4.76 kg)
- **Material & thickness:** Carbon steel

Power

- **Standard:** 12-24V AC/DC
- **Optional:** 120, 240, 277, 347V AC
 - Hardwire
 - PoE

Options

- Remote public address speakers
- Remote beacon/strobe

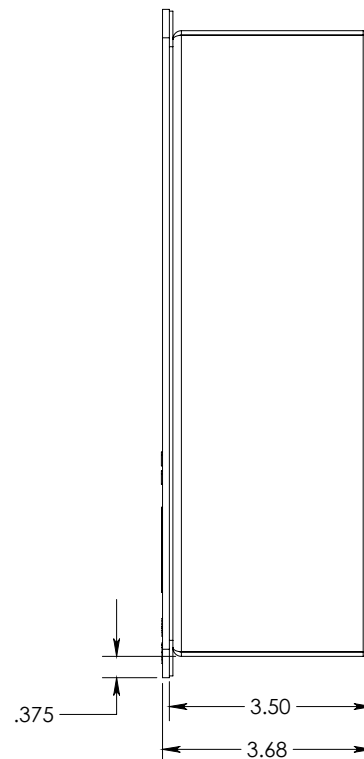
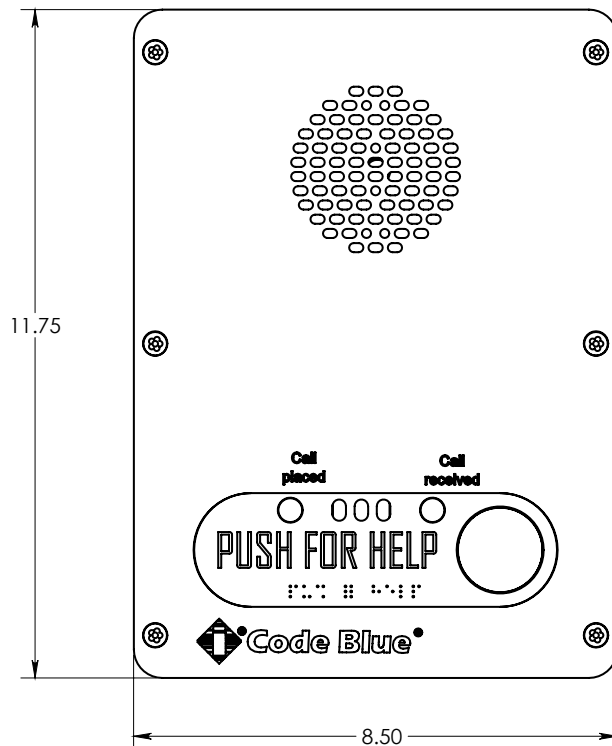
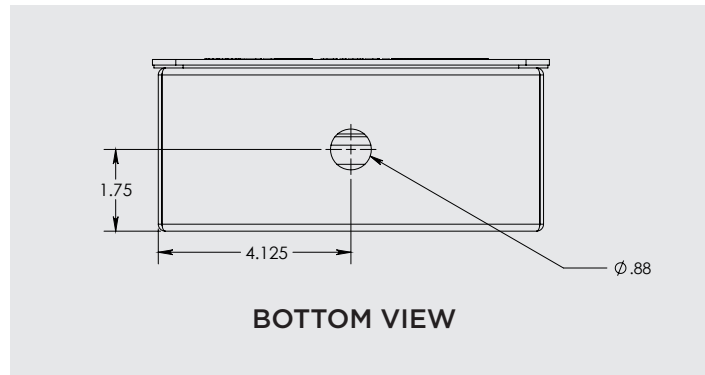
Communication

- **Speakerphone Options**
 - **IP5000:** Full duplex, SIP compatible VoIP phone.
 - **IA4100:** Analog full duplex phone.
- Hardwire

Compliance

- NEMA 3S
- ADA

Mounting Schematics



Note: Specifications subject to change without notice or obligation on the part of Code Blue Corporation.