

Product Description

The **CB 5-p** is a parking structure-height pedestal Help Point® highlighted by a high intensity LED beacon/strobe light that provides exceptional visibility and acts as a deterrent to potential crime. This blue light emergency tower provides direct communication with first responders and can extend security efforts to parking lots & garages, open campus areas, and more.

Standard Features

- ✓ Durable quarter-inch steel construction
- ✓ Trademarked cylindrical design
- ✓ Parking structure compatible height
- ✓ 8.625" diameter
- ✓ LED faceplate light
- ✓ Strobe guard

Popular Upgrades



ToolVox™ XV
Virtual Machine



ToolVox™ XS
Server



Audio Paging



Hearing Loop



Dual Faceplate Opening

This product can be ordered with a secondary faceplate opening, designed for use with directory/informational plates or third-party accessories. Contact Customer Service or see our **Dual Faceplate Options** product sheet for more details.

Technical Features

Specifications

- **Height:** 90.70" (230.38 cm)
- **Weight:** 190 lbs. (81.65 kg)
- **Diameter:** 8.625" (21.90 cm)
- **Material & thickness:** 0.25" steel
- **Access door:** 15.00" x 6.63" (38.10 x 16.84 cm)
- **Standard:** 12-24V AC/DC
- **Optional:**
 - 120-277V AC
 - PoE

Communication

- **Speakerphone Options**
 - **LS1000/LS2000:** Full Duplex, SIP Compatible VoIP Phone.
 - **IA4100:** Analog full duplex phone.
- **Connection Options**
 - Hardwired
 - Cellular
 - IP Wireless

Lighting

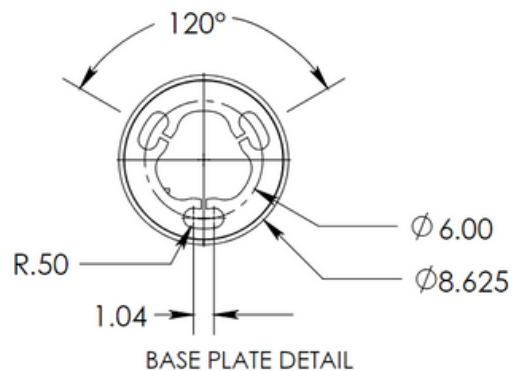
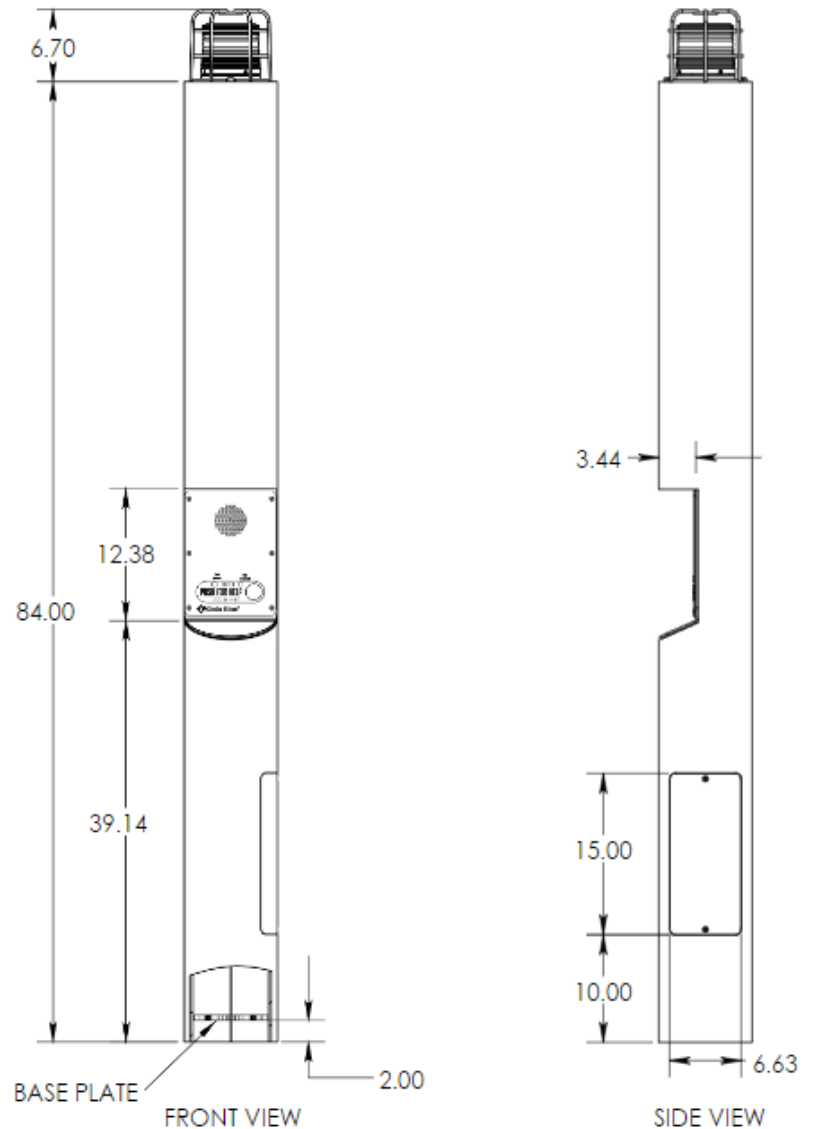
- LED faceplate light
- Beacon/strobe w/ steel guard

Style

- **Standard wet coat paint options:** Safety Blue, Safety Yellow, Safety Red, Gloss White, Bright Silver, Tiger Orange, Midnight Blue, Gloss Black, Dark Bronze, Cardinal Red, Medium Bronze, British Racing Green, Architectural Gray, & Oak Buff.
- **Standard Graphics text options:** Emergency, Assistance, Help Point, Police, Courtesy, Security, Information
- **Standard Graphics text colors:** White, Black, Blue, Red, Green, Yellow, Orange, Purple, & Brown

Compliance

- UL 62368-1 
- Built to NEMA 4 Specifications
- Designed to ADA Specifications



Note: Specifications subject to change without notice or obligation on the part of Code Blue Corporation.