



## Product Description

The **IP1500/IP1501** is a full duplex VoIP speakerphone that provides a reliable and direct communication with first responders. Available in either flush and surface mounts, its compact size and SIP capabilities make it ideal for a wide range of indoor and outdoor locations, like hallways, stairwells, classrooms, subway cars, parking garages, elevators and door entries.

## Standard Features

- ✓ Full duplex
- ✓ PoE power
- ✓ Self-monitoring
- ✓ Proprietary screws for vandal resistance
- ✓ Piezoelectric buttons that won't stick or jam

## Popular Upgrades



ToolVox™ XV  
Virtual Machine



ToolVox™ XS  
Server



Remote Mounted  
Strobe



Hearing Loop

## Available Configurations



Surface Mounted  
(IP1500)



Flush Mounted  
(IP1501)



IP1500 available in Stainless Steel or Painted finish.

# Technical Features

## Specifications

### • Dimensions:

- **Surface:** 4.62" W x 4.62" H x 2.31"D (11.73 x 11.73 x 5.87 cm)
- **Flush:** 5" W x 5" H x 2.2" D (12.7 x 12.7 x 5.59 cm)

### • Weight:

- **IP1500:** 1.53 lbs (0.69kg)
- **IP1501:** 1.75 lbs (0.79kg)

### • Contact Closures-OUT: 1

### • Ethernet Ports: 1

### • Power: PoE

### • RAM: 1MB

### • Operational Temperature: -40°C to 70° C (-40° F to 158° F)

## Mounting

- Flush
- Surface

## Faceplate

- Piezoelectric data button
- ADA Braille bezel
- Conformal coated PCB
- 1 LED status indicator light

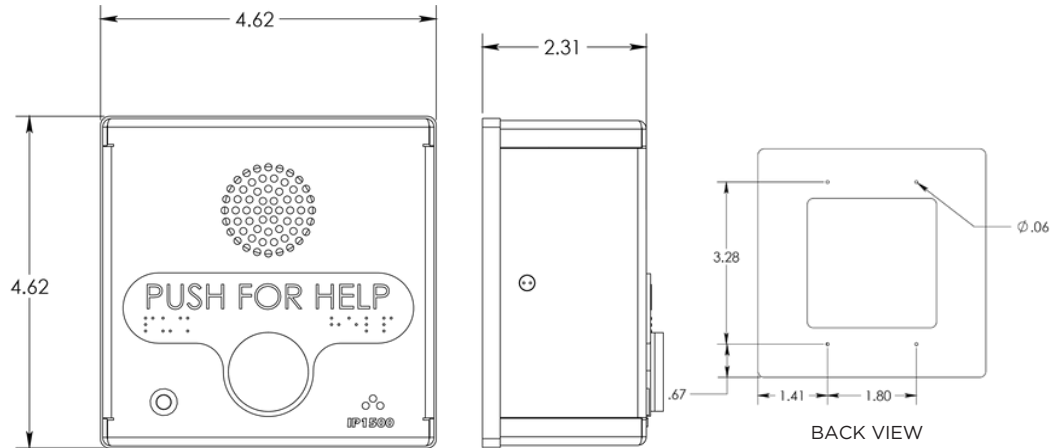
## Style

- Bezel Text: Push For Help, Emergency
- Custom Options Available

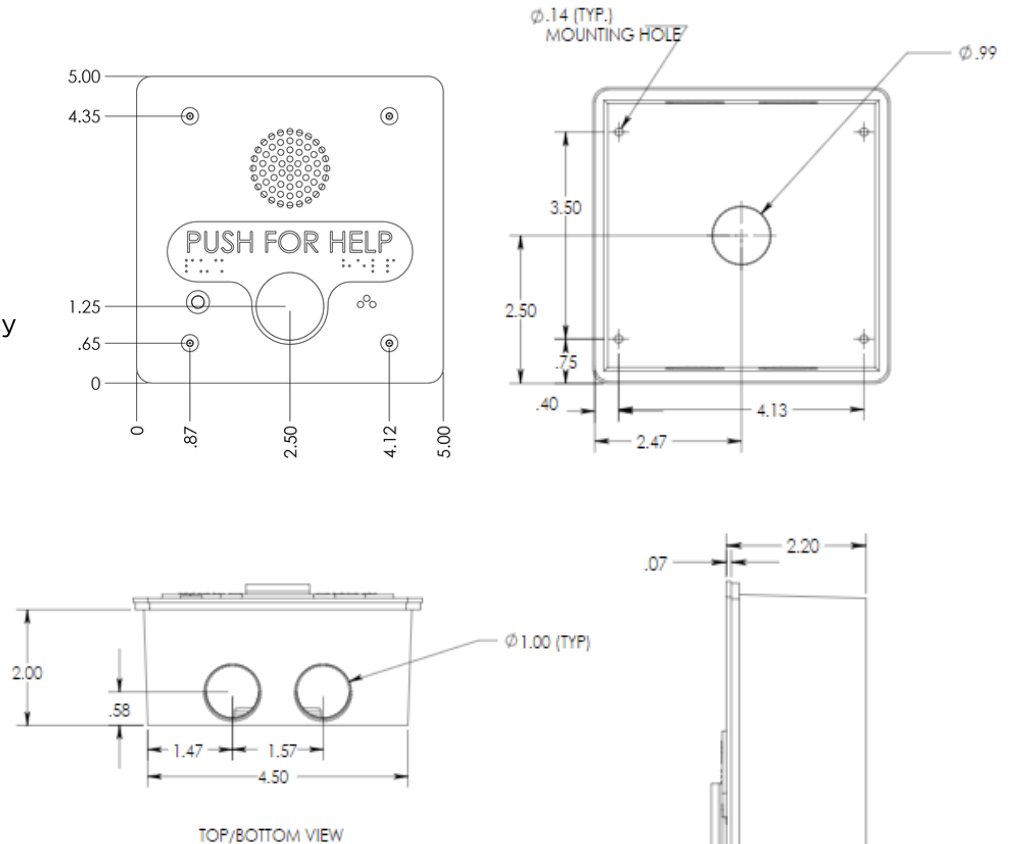
## Compliance

- UL 62368-1

IP1500 Surface Mount



IP1501 Flush Mount



Note: Specifications subject to change without notice or obligation on the part of Code Blue Corporation.