



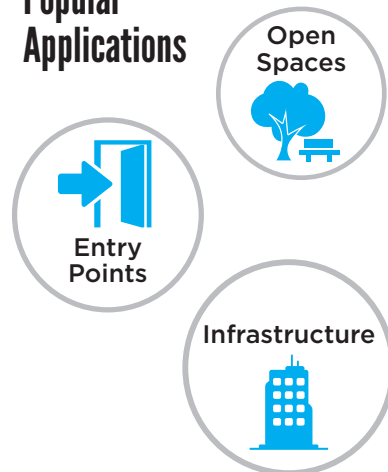
Product Description

The **CB 6-s** is an economical call box that provides a hands-free emergency speakerphone enclosed in rugged stainless steel housing for a cost-effective and reliable solution to provide direct communication with first responders and extend security efforts to hallways, transit centers, parking decks and other sheltered structures.

Standard Features

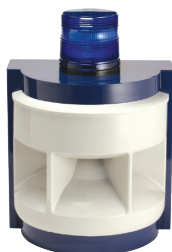
- ✓ Durable stainless steel construction
- ✓ ADA Compliant

Popular Applications



Popular Upgrades

Remote Public Address



Remote Beacon/Strobe



Curb Mount



Get It Customized

We know your installation is unique. From paint and graphics to height and mountings, if you dream it, we can make it. Contact Customer Service at customerservice@codeblue.com or [800-205-7186](tel:800-205-7186) to learn more.

Technical Features

Specifications

- **Height:** 12.75" (32.39 cm)
- **Width:** 9.5" (24.13 cm)
- **Depth:** 3.48" (8.84 cm)
- **Weight:** 11 lbs. (4.99 kg)
- **Material & thickness:** 0.06" stainless steel

Power

- **Standard:** 12-24V AC/DC
- **Optional:**
 - Hardwire
 - PoE

Communication

- **Speakerphone Options**
 - **IP5000:** Full duplex, SIP compatible VoIP phone.
 - **IA4100:** Analog full duplex phone.
- Hardwire

Options

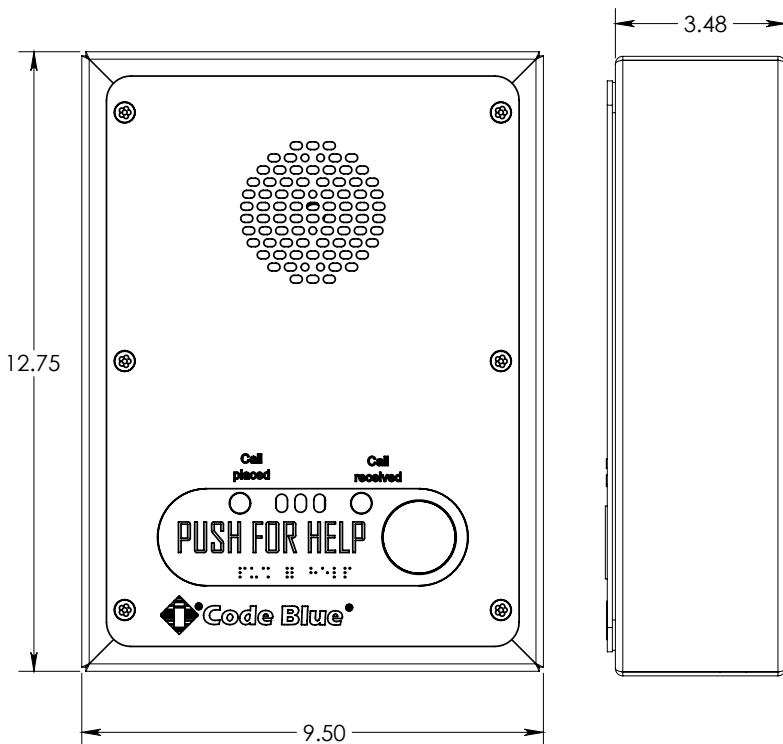
- Remote public address speakers
- Remote beacon/strobe

Style

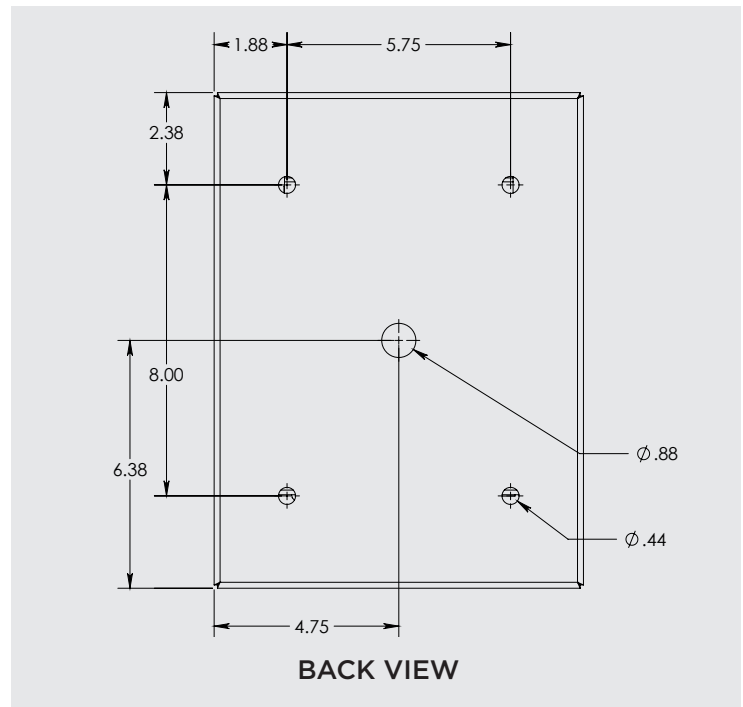
- **Optional painted colors:** British Racing Green, Cardinal Red, Dark Bronze, Gloss White, Gloss Black, Medium Bronze, Midnight Blue, Safety Blue, Safety Red, Safety Yellow, Tiger Orange, Bright Silver
- **Graphics text:** Assistance, Courtesy, Emergency, Police, Security, Information, Help Point
- **Graphics colors:** Black, Blue, Green, Red, White, Yellow

Compliance

- UL 2017
- UL 60950-1
- NEMA 4
- ADA



Mounting Schematics



Note: Specifications subject to change without notice or obligation on the part of Code Blue Corporation.