



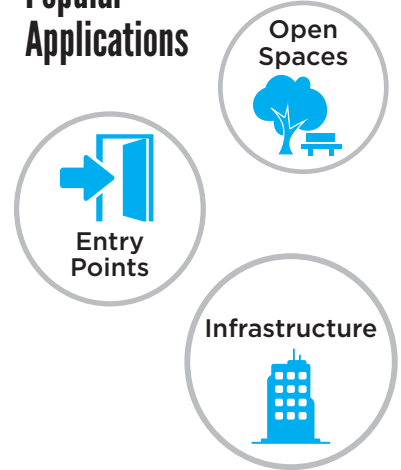
## Product Description

The **Surface Mount Enclosure** provides a hands-free emergency speakerphone enclosed in rugged carbon steel housing for a cost-effective and reliable solution to provide direct communication with first responders and extend security efforts to hallways, transit centers, parking decks and other sheltered structures.

## Standard Features

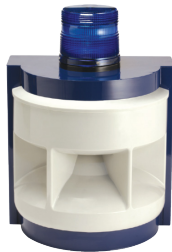
- ✓ Durable carbon steel construction
- ✓ ADA Compliant

## Popular Applications



## Popular Upgrades

### Remote Public Address



### Remote Beacon/Strobe



### Curb Mount



## Get It Customized

We know your installation is unique. From paint and graphics to height and mountings, if you dream it, we can make it. Contact Customer Service at [customerservice@codeblue.com](mailto:customerservice@codeblue.com) or [800-205-7186](tel:800-205-7186) to learn more.

# Technical Features

## Specifications

- **Height:** 12.75" (32.39 cm)
- **Width:** 9.5" (24.13 cm)
- **Depth:** 3.48" (8.84 cm)
- **Weight:** 11.5 lbs. (5.21 kg)
- **Material & thickness:** 0.078" carbon steel

## Power

- **Standard:** 12-24V AC/DC
- **Optional:**
  - Hardwire
  - PoE

## Communication

- **Speakerphone Options**
  - **IP5000:** Full duplex, SIP compatible VoIP phone.
  - **IA4100:** Analog full duplex phone.
- Hardwire

## Options

- Remote public address speakers
- Remote beacon/strobe

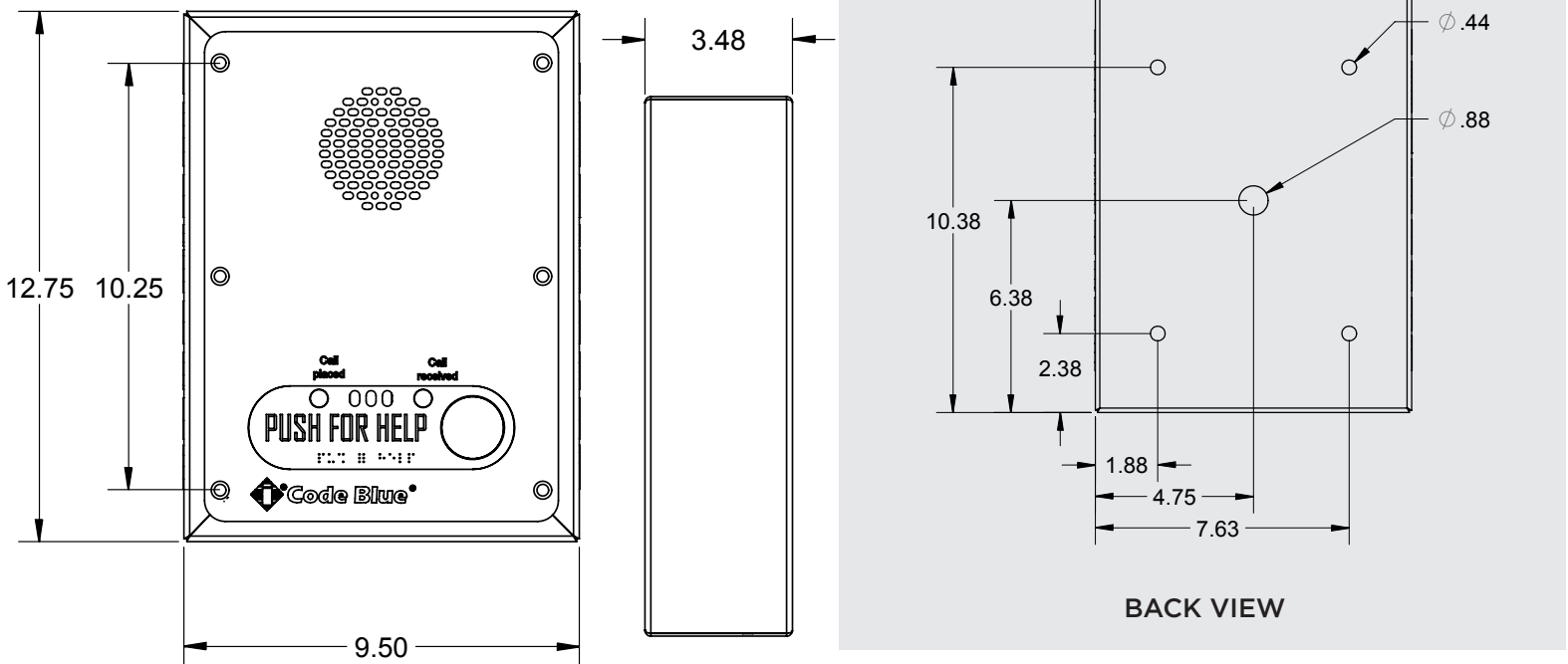
## Style

- **Standard wet coat colors:** Dark Bronze, Gloss White, Gloss Black, Safety Blue, Safety Red, Safety Yellow, Bright Silver
- **Standard powder coat colors:** Bright Silver, Safety Yellow
- **Graphics text:** Assistance, Emergency
- **Graphics colors:** Black, Blue, White

## Compliance

- UL 2017
- NEMA 4
- ADA

## Mounting Schematics



Note: Specifications subject to change without notice or obligation on the part of Code Blue Corporation.