



Product Description

The **LS2000** is a SIP compatible VoIP handset phone that provides a reliable, private link to first responders. Available with button and keypad options, it includes a built-in contact closure that may be used to initiate a call and control volume. It is an excellent choice for mass transit such as airports, rail and bus stations. Also great for pools or privacy locations such as dorms or hallways.

Standard Features

- ✓ Full duplex communication
- ✓ PoE Power
- ✓ Proprietary screws for vandal resistance
- ✓ Powered by Emercomm
- ✓ Ring-lit piezoelectric button
- ✓ Self monitoring

Popular Upgrades



ToolVox™ XV
Virtual Machine



ToolVox™ XS
Server



Managed Cloud Solutions



Remote Mounted
Strobe



NEMA 4X
Weatherproof Enclosure

Available Configurations



No Button
Standard handset phone



Volume Control
Optional handset phone with
volume control button



Keypad
Optional handset phone
with additional keypad only



**Volume Control
w/Keypad**
Optional handset phone with
single volume control button
and keypad

☰ Specifications

- **Height:** 11.75" (29.85cm)
- **Width:** 8.5" (21.59cm)
- **Depth:** 5.48" (13.91cm)
- **Weight:** 5.1lbs (2.31kg)
- **Contact Closures - IN:** 3
- **Contact Closures - OUT:** 3
- **Ethernet Ports:** 3
- **Power:** 12V DC or PoE
- **RAM:** 4GB
- **Operational Temperature:** -40° C (-40° F to 158° F)

+ Options

- Battery Backup
- Cord Length: 14", 18", 24", or 54"

🔗 Functionality

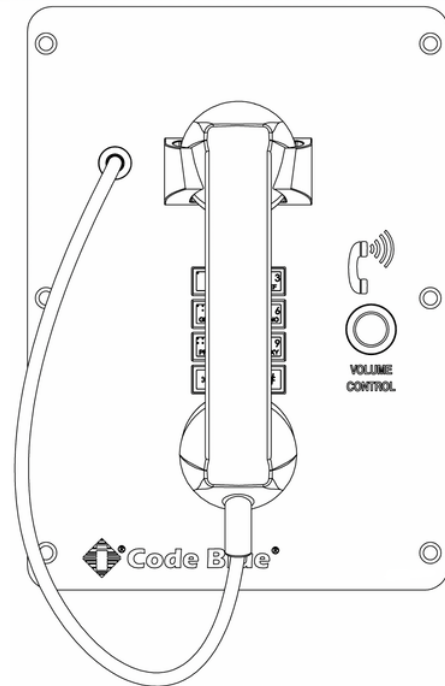
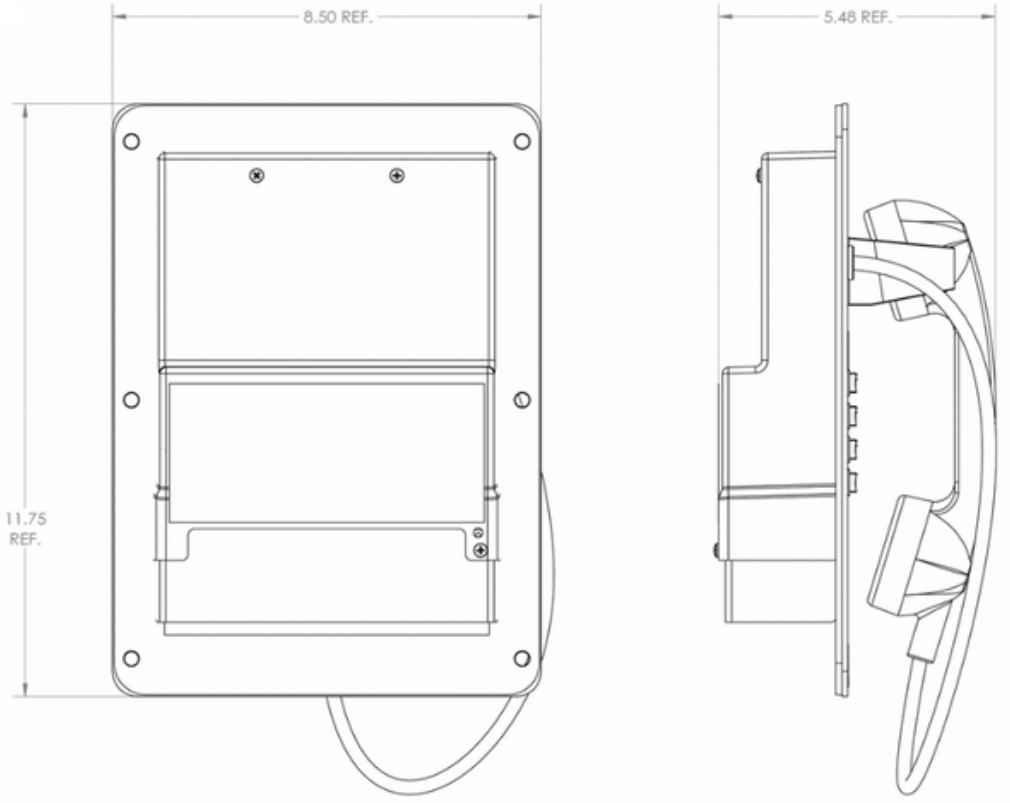
- Line Level Audio Input: 8 Ohm
- Peer-to-peer audio communication
- Number Storage

📞 Faceplate

- Ring-lit piezoelectric data button
- Magnetic hook switch
- Stainless steel armored cord & swivel
- Silkscreen text

✔ Compliance

- UL 62368-1
 - *Note: Only UL certified when installed in a Code Blue Help Point*
- Built to NEMA 4 Specifications
- Designed to ADA Specifications



Note: Specifications subject to change without notice or obligation on the part of Code Blue Corporation.