



Product Description

The **Anchor Bolt Kits** engineered to work with all Code Blue tower-style help points provide a secure mounting point that is friendly during both the initial install and any future service that may be required. When installed properly within a concrete foundation these kits will help to ensure the ultimate performance and stability that Code Blue's help points are designed to deliver.

Technical Details

Specifications

- Material: Galvanized Steel
- Diameter: 0.75"
- Length: 24.00"
- Hook Length: 2.75"
- Thread Size: 3/4-10
- Thread Length(min.): 3.00"
- Tensile Strength: 58,000 psi
- Thread Spacing: Coarse
- RoHS: Compliant

Available for:

- CB 1-e
- CB 1-s
- CB 1-w
- CB 5-s
- CB 5-p
- CB 9-s
- CB-RT

Kit contents:

- Mounting Template
- 4 Anchor Bolts*
- 8 Washers*
- 8 Hex Nuts*

*Kits for CB 5-s & CB 5-p contain 3 anchor bolts, 6 washers, & 6 nuts.

Note: Specifications subject to change without notice or obligation on the part of Code Blue Corporation.

1.0 FOUNDATION

1.1 Conduit - Electrical and telephone line conduit, with a maximum combined diameter of four inches, should be run up through the center of the foundation hole. A minimum of four inches and a maximum of six inches of conduit above the finished grade level is required. To ensure proper grounding, a ½-inch x 8-foot copper rod should be inserted in the center of the foundation and tied to the steel bollard.

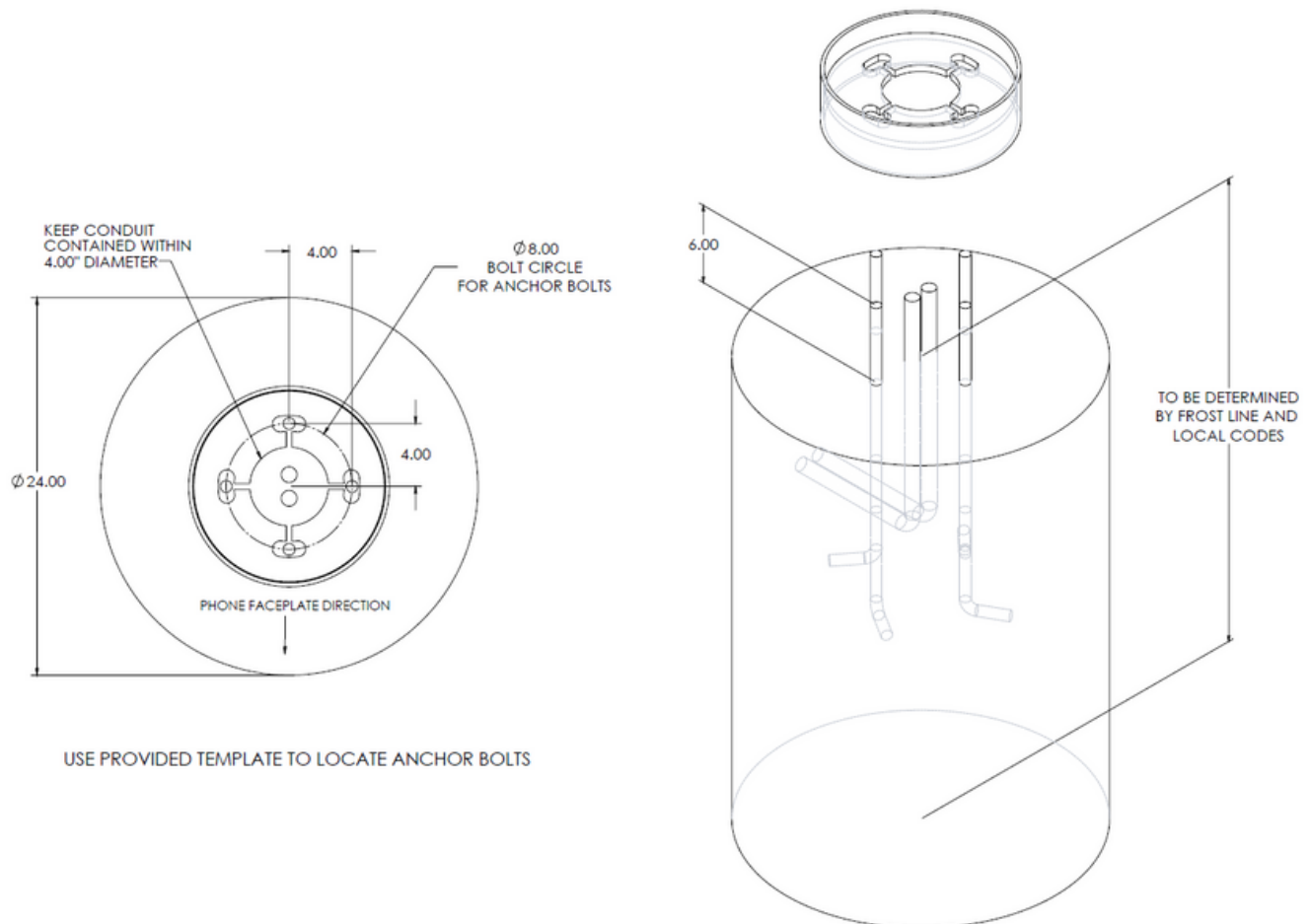
NOTE: Follow all national and local codes governing this installation.

1.2 Pour the Foundation - The foundation should be at least 24 inches in diameter and to the correct depth for the frost line in your area, with a minimum depth of at least three feet (follow local building codes for foundations).

1.3 Set the Anchor Bolts in the Wet Foundation - Four 24-inch L-shaped anchor bolts and an aligning template are supplied for anchoring the Code Blue unit. The bolts should be set into the foundation so that six inches are left showing above the finished grade level. The anchor bolts should be aligned, using the supplied template in such a way that the phone faceplate on the unit will face in the desired direction.

2.0 WIRING

2.1 Pull power and phone line up through the conduits - A minimum of two feet of wire must be available from the conduit for electrical and communications wiring.



1.0 FOUNDATION

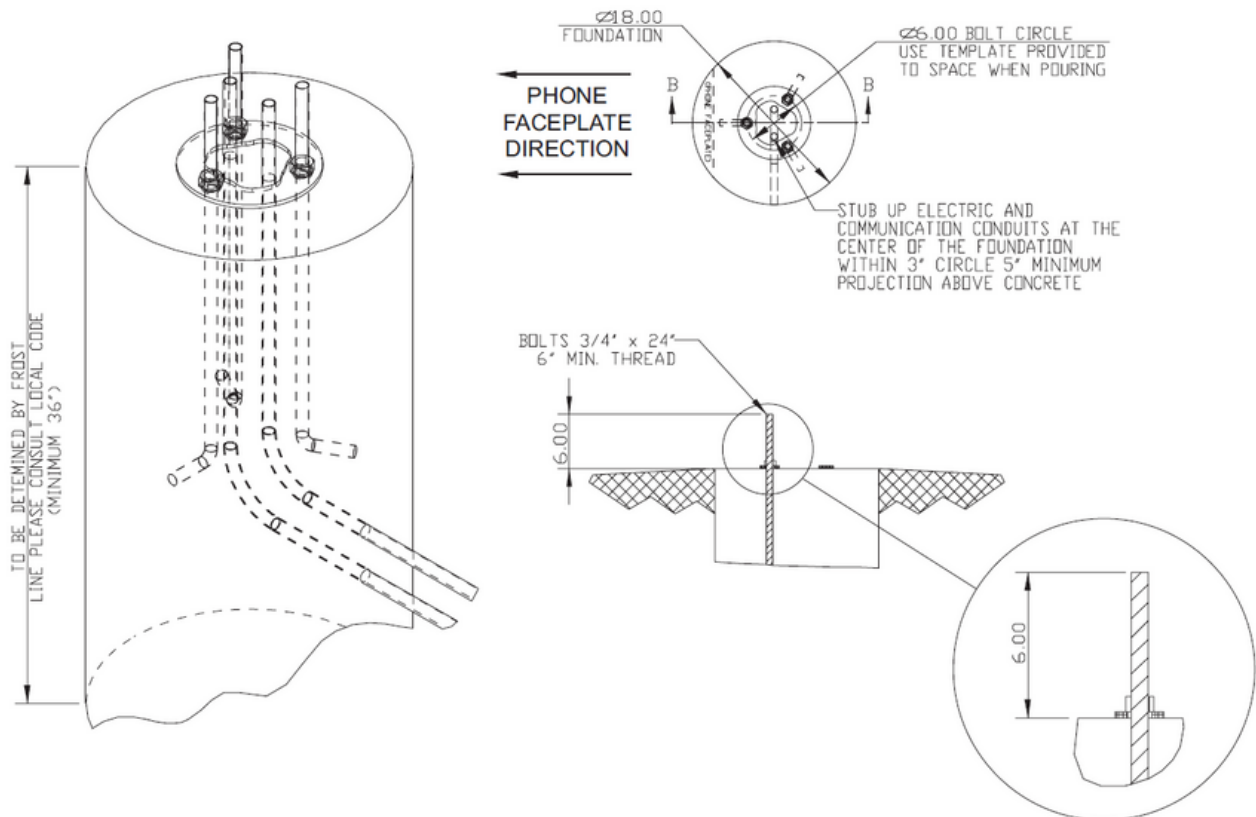
1.1 Conduit - Electrical and telephone line conduit, with a maximum combined diameter of three inches, should be run up through the center of the foundation hole. A minimum of four inches and a maximum of six inches of conduit above the finished grade level is required. To ensure proper grounding, a ½-inch x 8-foot copper rod should be inserted in the center of the foundation and tied to the steel bollard. (NOTE: Follow all national and local codes governing this installation.)

1.2 Pour the Foundation - The foundation should be at least 18 inches in diameter and to the correct depth for the frost line in your area, with a minimum depth of at least three feet. (Follow your local building codes for foundations.)

1.3 Set the Anchor Bolts in the Wet Foundation - Three 24-inch L-shaped anchor bolts and an aligning template are supplied for anchoring the Code Blue unit. The bolts should be set into the foundation so that six inches are left showing above the finished grade level. The anchor bolts should be aligned, using the supplied template, so the phone faceplate on the unit will face in the desired direction.

2.0 WIRING

2.1 Pull power and phone line up through the conduits - A minimum of two feet of wire must be available from the conduit for electrical and communications wiring.



All wiring must be installed and connected by experienced and certified personnel to meet local and national electrical codes, and will include a service disconnect.