



Product Description

The **CB 2-ap** offers a powerful integrated speaker designed to provide maximum audio clarity and intelligibility to ensure your notifications are delivered in an efficient and effective manner.

Standard Features

- ✓ Proprietary One-Cycle Sound™ control with output feedback.
- ✓ Internal and remote volume adjustment
- ✓ Analog, VoIP or no control options
- ✓ Synchronized switching frequencies
- ✓ FXS, IP or no analog controller
- ✓ Remote disable
- ✓ Monitoring features include signal clipping, out put current and temperature.
- ✓ Full over current, under voltage and over temperature protection.

Popular Upgrades



ToolVox™ XV
Virtual Machine



ToolVox™ XS
Server



Technical Features

Specifications

- **Height:** 29.8" (75.69 cm)
- **Width:** 11.90" (30.22 cm)
- **Depth:** 4" (10.16 cm)
- **Weight:** 31 lbs. (14 kg)
- **Speakers:** 1
- **Material:** 14 Gauge Stainless Steel
- **Power:** 120V AC

Audio Paging Speaker

- **Size:** 5" Diameter (12.7 cm)
- **Power Capacity:** 5 W Continuous, 30 W Max
- **Impedance:** 8 Ohms per speaker
- **Frequency Range:** 450 - 8,000 Hz

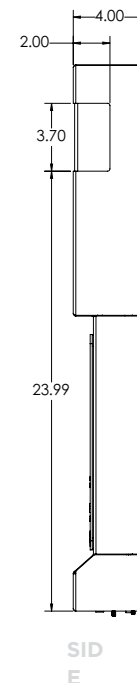
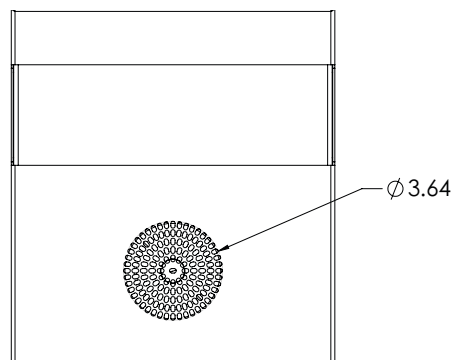
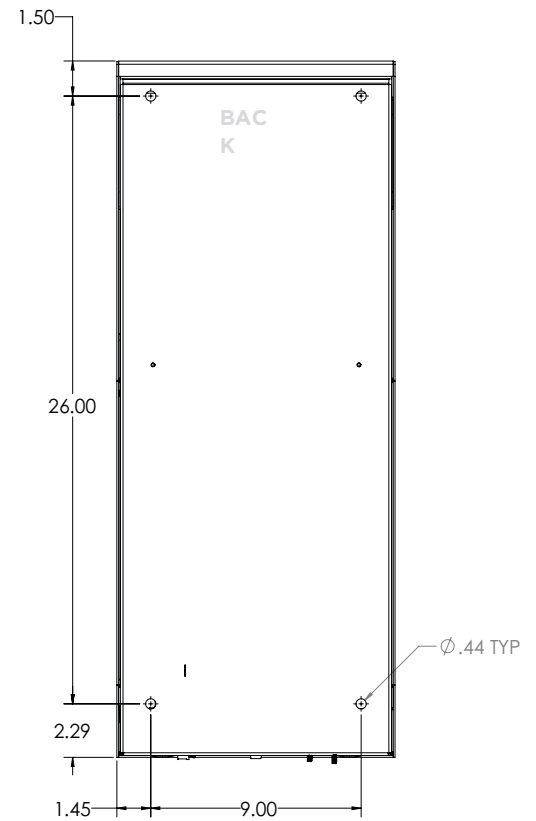
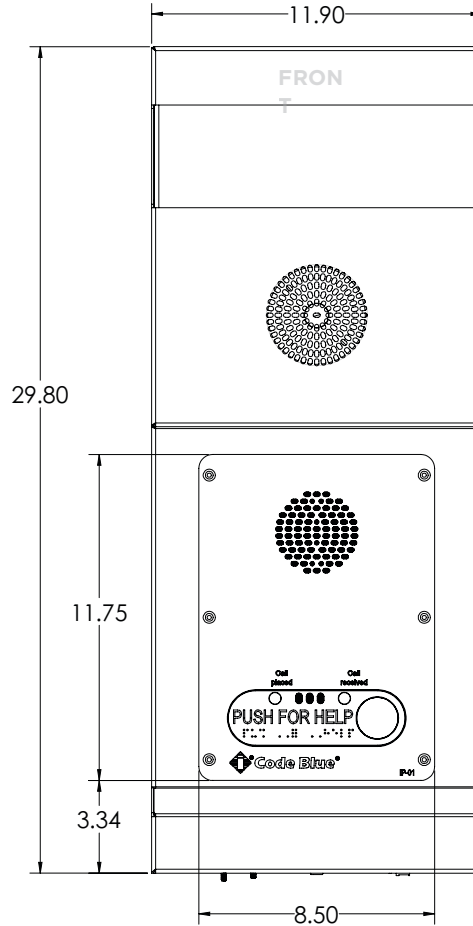
Amplifier

- **Load Resistance:** 2.4 ohms
- **Output Power:** 1x100 (20Hz-20kHz, 0.1% THD)
- **Maximum Output Power:** 100 (20Hz-20kHz, 1% THD)
- **Distortion:** 10%
- **Signal to Noise:** 102 dB
- **Sensitivity:** 102 dB SPL

Compliance



- UL 26238
- Built to NEMA 4 Specifications



Note: Specifications subject to change without notice or obligation on the part of Code Blue Corporation.