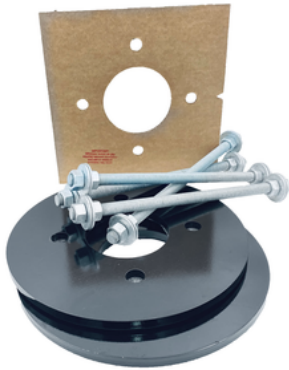


Product Description

The **Deck Mount Kits** are engineered to provide a secure mounting option for tower-style Help Points® inside parking deck structures where a typical poured concrete foundation along with an anchor bolt kit are not possible. When installed properly these kits will help to ensure the ultimate performance and stability that Code Blue's help points are designed to deliver, while offering location flexibility inside a new or existing structure.



CB1 & CB9 Series Kit



CB5 Series Kit



CB RT Series Kit

Technical Details

Specifications

- **Material:** Galvanized Steel Threaded Rod
- **Diameter:** 0.75"
- **Length:** 16.00"
- **Hook Length:** 2.75"
- **Thread Size:** 3/4-10
- **Tensile Strength:** 58,000 psi
- **Thread Spacing:** Coarse
- **RoHS:** Compliant

Available for:

- CB 1-e
- CB 1-s
- CB 5-s
- CB 5-p
- CB 9-s
- CB RT

Kit contents:

- **CB1 & CB9 Series Kits**
 - Mounting Template
 - 2 - 12" Deck Mount Plates
 - 2 - Plate Gaskets
 - 4 - Threaded Rods
 - 16 - Washers
 - 16 - Hex Nuts
- **CB5 Series Kits**
 - Mounting Template
 - 2 - 14" Deck Mount Plates
 - 2 - Plate Gaskets
 - 3 - Threaded Rods
 - 12 - Washers
 - 12 - Hex Nuts
- **CB RT Series Kits**
 - Mounting Template
 - 2 - 14" Deck Mount Plates
 - 2 - Plate Gaskets
 - 4 - Threaded Rods
 - 16 - Washers
 - 16 - Hex Nuts

Note: Specifications subject to change without notice or obligation on the part of Code Blue Corporation.

• DECK MOUNT FOUNDATION

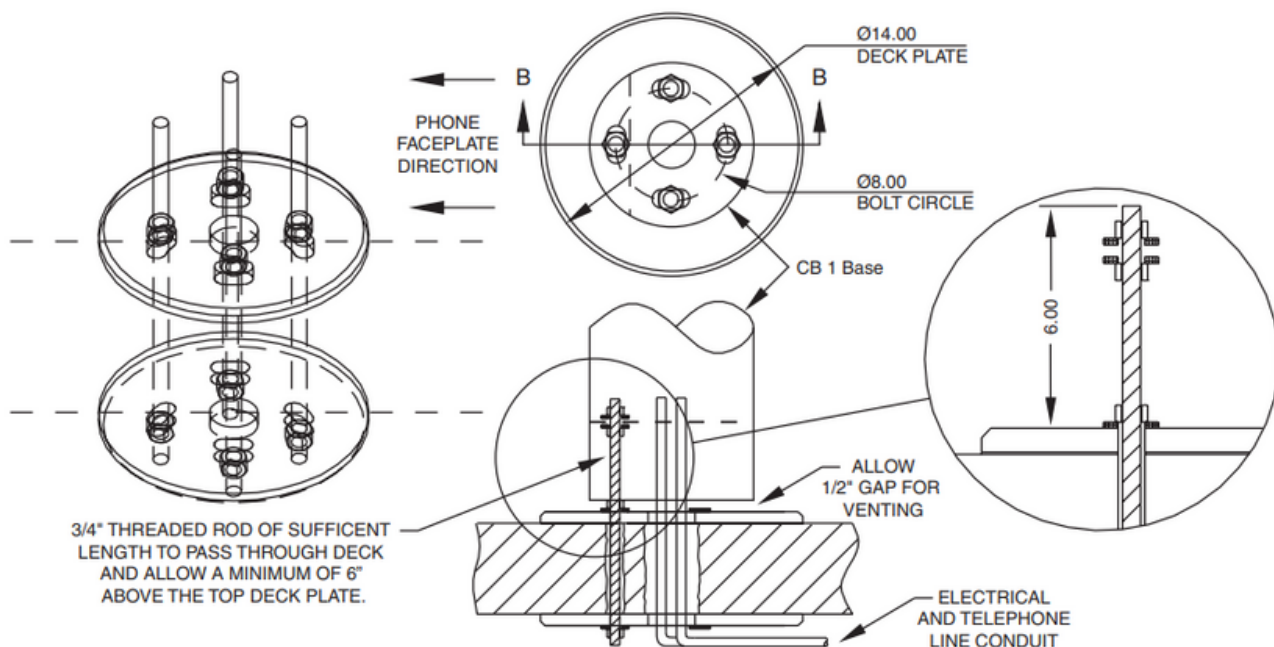
- Drill Deck Holes - Drill four holes through the parking deck floor for the four 3/4" threaded rods. The holes should be aligned, using the template provided in such a way that the phone faceplate on the unit will face in the desired direction (see figure below).
- Drill a fifth hole in the center to accommodate the conduit.
- Position Upper Deck Plate - Position the first plate working from above the deck.
 - Thread a nut and washer on the end of each rod so that approximately six inches extends beyond the base of the washer.
 - Insert each rod through the top side of the plate, plate gasket, and down through the four holes in the deck.

NOTE: The top of the plate is the side with the tapered edge.

- Position Lower Deck Plate - Position the second plate working from below the deck. Have another worker hold the upper plate and rods in place from above the deck.
 - Place the second plate gasket and then the second plate over the threaded rods.
 - Secure the second plate with nuts and washers provided. If required, readjust the nuts so that six inches of the rods are above the top of the upper plate (see figure below).
- Secure Lower Nuts - To prevent tampering, it is advisable to tack weld the lower nuts to the threaded rod.

• WIRING

- Pull power and phone line through conduits - A minimum of two feet of wire must be available from the conduit for electrical and communications wiring.
- Conduit - Electrical and telephone line conduit is run through the deck and the center openings (two-inch diameter) of the upper and lower deck plates. A minimum of four inches and a maximum of six inches of conduit above the upper plate is required.



• DECK MOUNT FOUNDATION

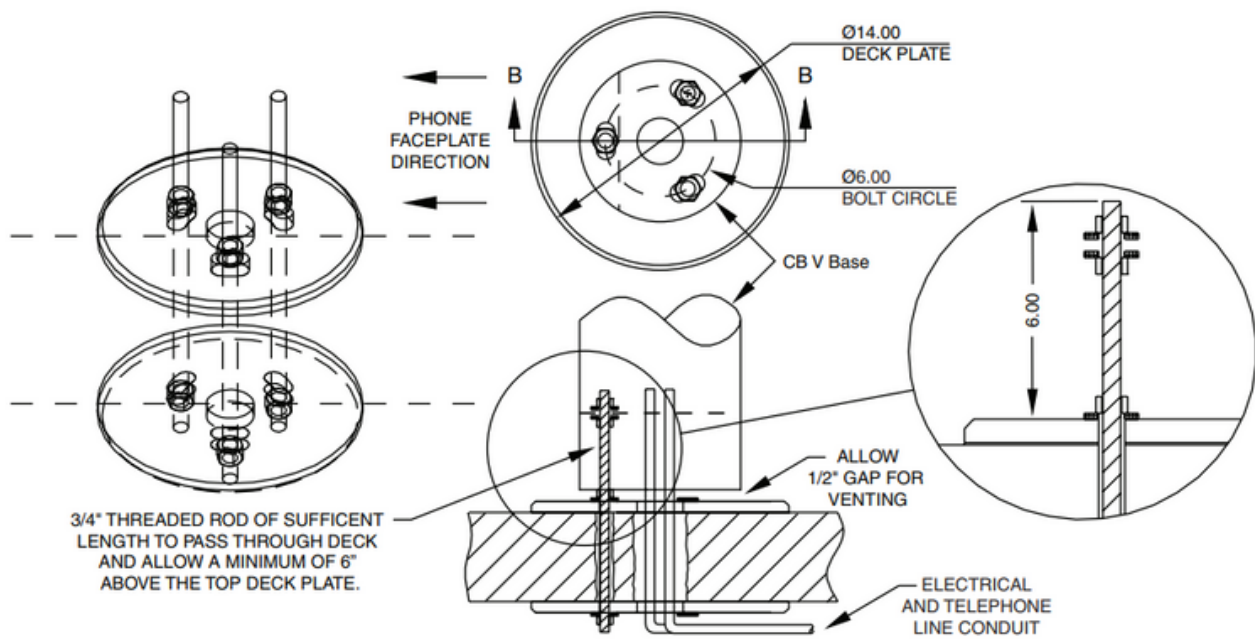
- Drill Deck Holes - Drill three holes through the parking deck floor for the three 3/4" threaded rods. The holes should be aligned, using the template provided, so the phone faceplate on the unit will face in the desired direction (see figure below). Drill a fourth hole in the center to accommodate the conduit.
- Position Upper Deck Plate - Position the first plate working from above the deck. Thread a nut and washer on the end of each rod so that approximately six inches extends beyond the base of the washer. Insert each rod through the top side of the plate, plate gasket, and down through the three holes in the deck.

NOTE: The top of the plate is the side with the tapered edge.

- Position Lower Deck Plate - Position the second plate working from below the deck. Have another worker hold the upper plate and rods in place from above the deck. Place the second plate gasket and then the second plate over the threaded rods. Secure the second plate with nuts and washers provided. If required, re-adjust the nuts so that six inches of the rods are above the top of the upper plate. (see figure below)
- Secure Lower Nuts - To prevent tampering, it is advisable to tack weld the lower nuts to the threaded rod.

• WIRING

- Pull power and phone line through conduits - A minimum of two feet of wire must be available from the conduit for electrical and communications wiring.
- Conduit - Electrical and telephone line conduit is run through the deck and the center openings (two inch diameter) of the upper and lower deck plates. A minimum of four inches and a maximum of six inches of conduit above the upper plate are required.



All wiring must be installed and connected by experienced and certified personnel to meet local and national electrical codes, and will include a service disconnect.

• DECK MOUNT FOUNDATION

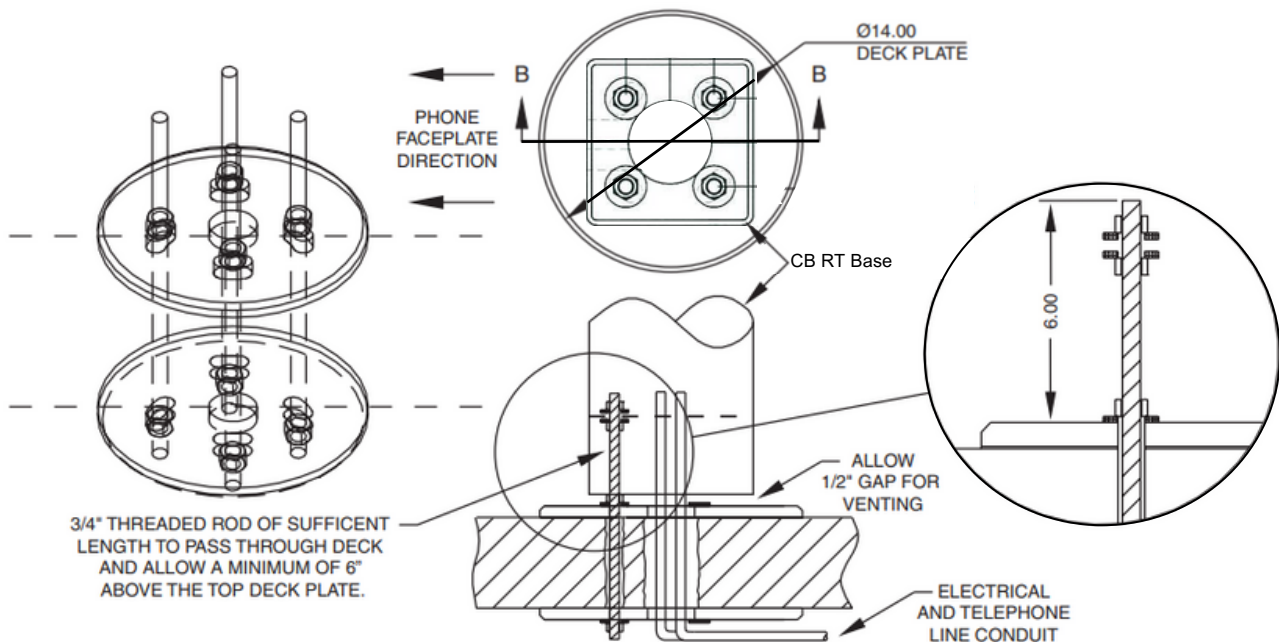
- Drill Deck Holes - Drill four holes through the parking deck floor for the four 3/4" threaded rods. The holes should be aligned, using the template provided, so the phone faceplate on the unit will face in the desired direction (see figure below). Drill a fourth hole in the center to accommodate the conduit.
- Position Upper Deck Plate - Position the first plate working from above the deck. Thread a nut and washer on the end of each rod so that approximately six inches extends beyond the base of the washer. Insert each rod through the top side of the plate, plate gasket, and down through the four holes in the deck.

NOTE: The top of the plate is the side with the tapered edge.

- Position Lower Deck Plate - Position the second plate working from below the deck. Have another worker hold the upper plate and rods in place from above the deck. Place the second plate gasket and then the second plate over the threaded rods. Secure the second plate with nuts and washers provided. If required, re-adjust the nuts so that six inches of the rods are above the top of the upper plate. (see figure below)
- Secure Lower Nuts - To prevent tampering, it is advisable to tack weld the lower nuts to the threaded rod.

• WIRING

- Pull power and phone line through conduits - A minimum of two feet of wire must be available from the conduit for electrical and communications wiring.
- Conduit - Electrical and telephone line conduit is run through the deck and the center openings (two inch diameter) of the upper and lower deck plates. A minimum of four inches and a maximum of six inches of conduit above the upper plate are required.



All wiring must be installed and connected by experienced and certified personnel to meet local and national electrical codes, and will include a service disconnect.