

Product Description

The **Anchor Epoxy Install Kits** also known as “Workaround Kits” or simply “Epoxy Kits” are designed to allow the installation of a Code Blue Help Point® Tower onto an already-cured concrete foundation. This can be very helpful in several instances:

- Concrete poured before anchor bolt kit could be installed.
- Anchor bolt kit was installed incorrectly.
- Reusing an existing concrete foundation that was setup to support another manufacturer’s blue light tower.

It is always recommended to use our typical Anchor Bolt kits for the install of any Code Blue tower, however we know that is not always a viable financial or physical option on some sites.

Technical Details

Specifications

- **Material:** Galvanized Steel
- **Diameter:** 0.75"
- **Length:** 16.00"
- **Thread Size:** 3/4-10
- **Thread Length:** 16.00"
- **Tensile Strength:** 58,000 psi
- **Thread Spacing:** Coarse
- **RoHS:** Compliant

Available for:

- **CB 1-e**
- **CB 1-s**
- **CB 5-s**
- **CB 5-p**
- **CB 9-s**
- **CB-RT**

Kit contents:

- **Mounting Template for CB1, CB9, & CB RT Series Towers**
- **Mounting Template for CB5 Series Towers**
- **4x 16" Straight Bolts**
- **8 Washers**
- **8 Hex Nuts**

IMPORTANT NOTE: *These kits do not include anchoring epoxy with them. This product must be sourced by the installing party. Due to the varying environmental & physical factors that can be present on any given installation site, the specific type of product required may vary depending on location. The list below contains some recommended epoxy options, however state and/or local building & construction codes must be consulted prior to using any of these products for installation of a Code Blue tower.*

- Quikrete High Strength Anchoring Epoxy
- Quikrete Fast Setting Anchoring Epoxy
- Sakrete High-Strength Anchoring Epoxy
- Simpson Strong-Tie SET-3G High Strength Epoxy Adhesive

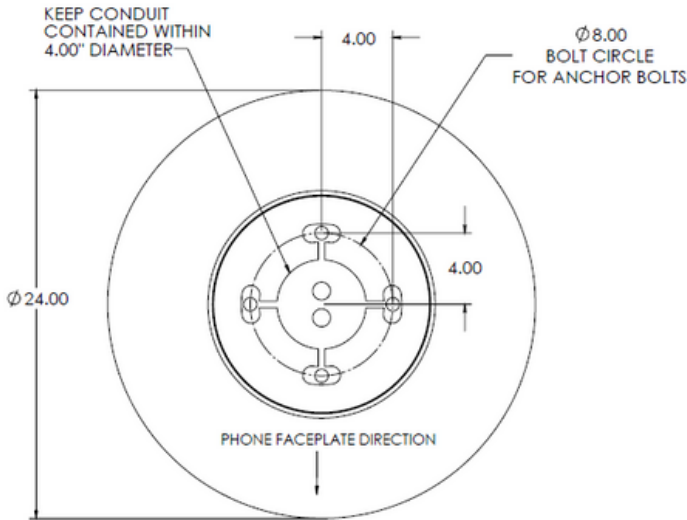
Suggested dimensions of existing concrete foundation is 24 inches in diameter & at least 36 inches deep. Foundations must follow local frostline depth recommendations and building codes.

Follow epoxy manufacturer’s instructions and suggestions for drilling clearances & epoxy use details.

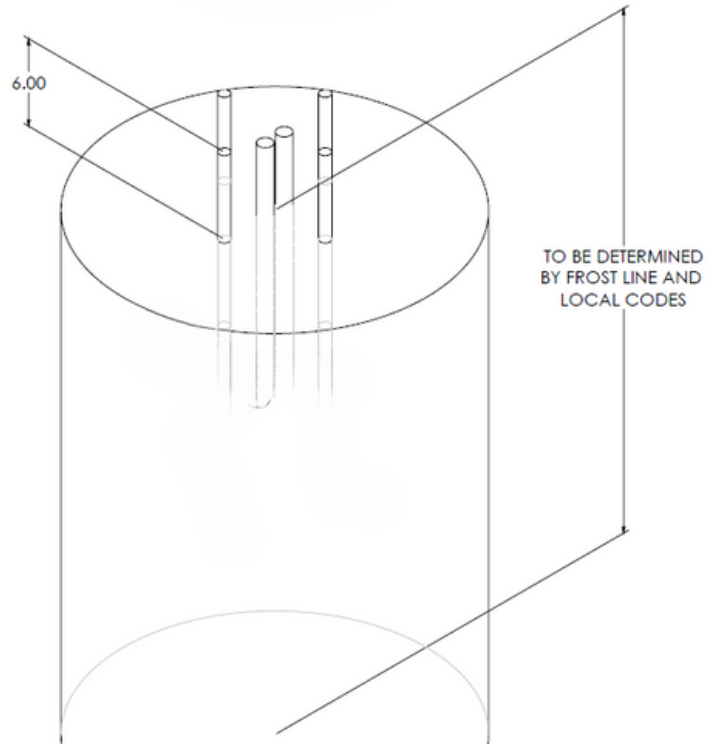
The anchor bolts should be aligned, using the supplied template, so the phone faceplate on the unit will face in the desired direction. The bolts should be set into the foundation so that six inches are left showing above the finished grade level.

Note: Specifications subject to change without notice or obligation on the part of Code Blue Corporation.

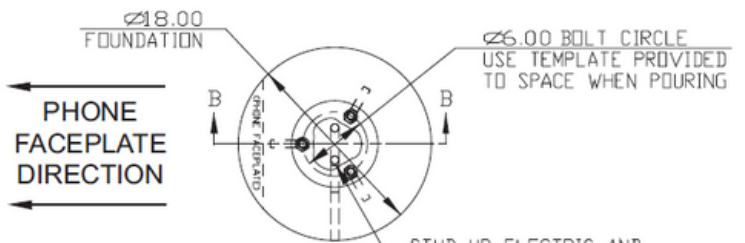
CB 1, CB 9, & CB RT Series Towers



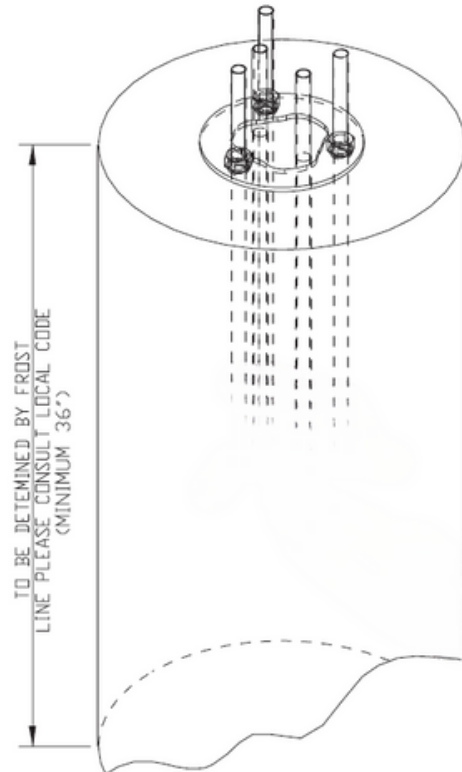
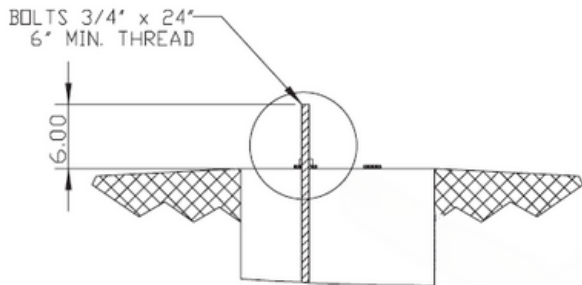
USE PROVIDED TEMPLATE TO LOCATE ANCHOR BOLTS



CB 5 Series Towers



STUB UP ELECTRIC AND COMMUNICATION CONDUITS AT THE CENTER OF THE FOUNDATION WITHIN 3\"/>



Note: Specifications subject to change without notice or obligation on the part of Code Blue Corporation.