



## Product Description

The **Premium Solar Solution** is a powerful power option for Code Blue's CB 1-w pedestal Help Point® that is highlighted by a high intensity LED beacon/strobe light that provides exceptional visibility and acts as a deterrent to potential crime. This blue light emergency tower provides direct communication with first responders and provides optimum performance and reliability in almost any geographic location, including areas where power and phone lines are not available.

## Standard Features

- ✓ Durable quarter-inch steel construction
- ✓ Trademarked cylindrical design
- ✓ 9.75 feet tall
- ✓ 12.75" diameter
- ✓ LED faceplate light

## Benefits

- ✓ Efficient power delivery even in shady or challenging weather conditions
- ✓ Long battery lifecycle
- ✓ 1,000 watts of power charging capacity
- ✓ Bullet resistant solar panel
- ✓ Reliable protection against current, over voltage, under current, under voltage, short circuit and leaks

## Popular Upgrades

### Cellular



## Popular Applications



# Technical Features

## ↔ Pedestal Specifications

- **Height:** 9.98' (304.19 cm)
- **Weight:** 390 lbs. (176.90 kg)
- **Diameter:** 12.75" (32.38 cm)
- **Material & thickness:** 0.25" steel
- **Access doors:** 14" x 9.64" (35.56 x 24.49 cm)

## ⚡ Power

- **Standard:** 12V DC solar

## 📶 Communication

- **Speakerphone Options**
  - **IP5000:** Full duplex, SIP compatible VoIP phone.
  - **IA4100:** Analog full duplex phone.
- Hardwire
- Cellular
- IP wireless

## 💡 Lighting

- LED faceplate light
- Beacon/strobe

## 🎨 Style

- **Standard wet coat colors:** Dark Bronze, Gloss White, Gloss Black, Safety Blue, Safety Red, Safety Yellow, Bright Silver
- **Graphics text:** Assistance, Emergency
- **Graphics colors:** Black, Blue, White

## ✅ Compliance

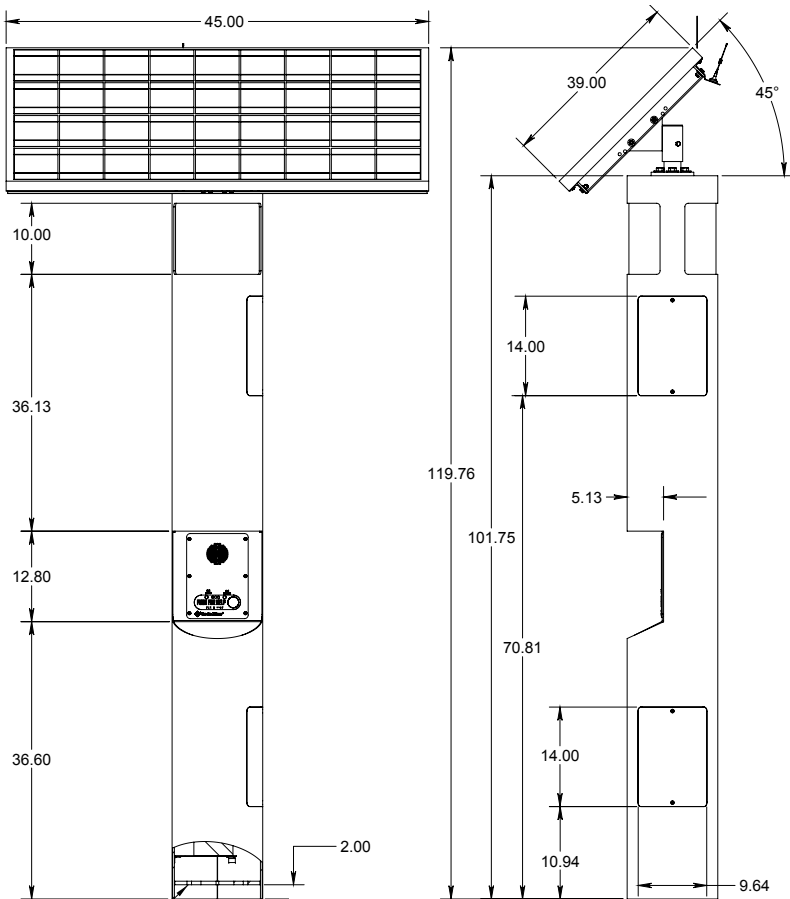
- UL 2017
- UL 60950-1
- NEMA 3S
- ADA

## + Options

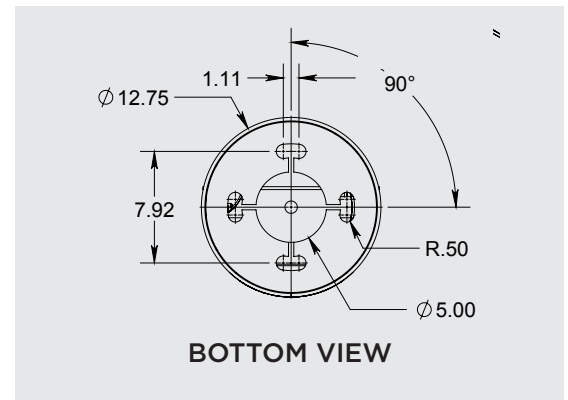
- Cellular

## ☀️ Solar Module

- **Input:** 160W
- **Length:** 45" (114.3 cm)
- **Width:** 39" (99.06 cm)
- **Depth:** 0.25" (0.64 cm)
- **Rated Voltage (Vmpp):** 19.68 V
- **Rated Current (Impp):** 9.1 A
- **Power Tolerance:** +/-5%
- **Weight:** 16.5 lbs (6.5 kg)



## Mounting Schematics



Note: Specifications subject to change without notice or obligation on the part of Code Blue Corporation.